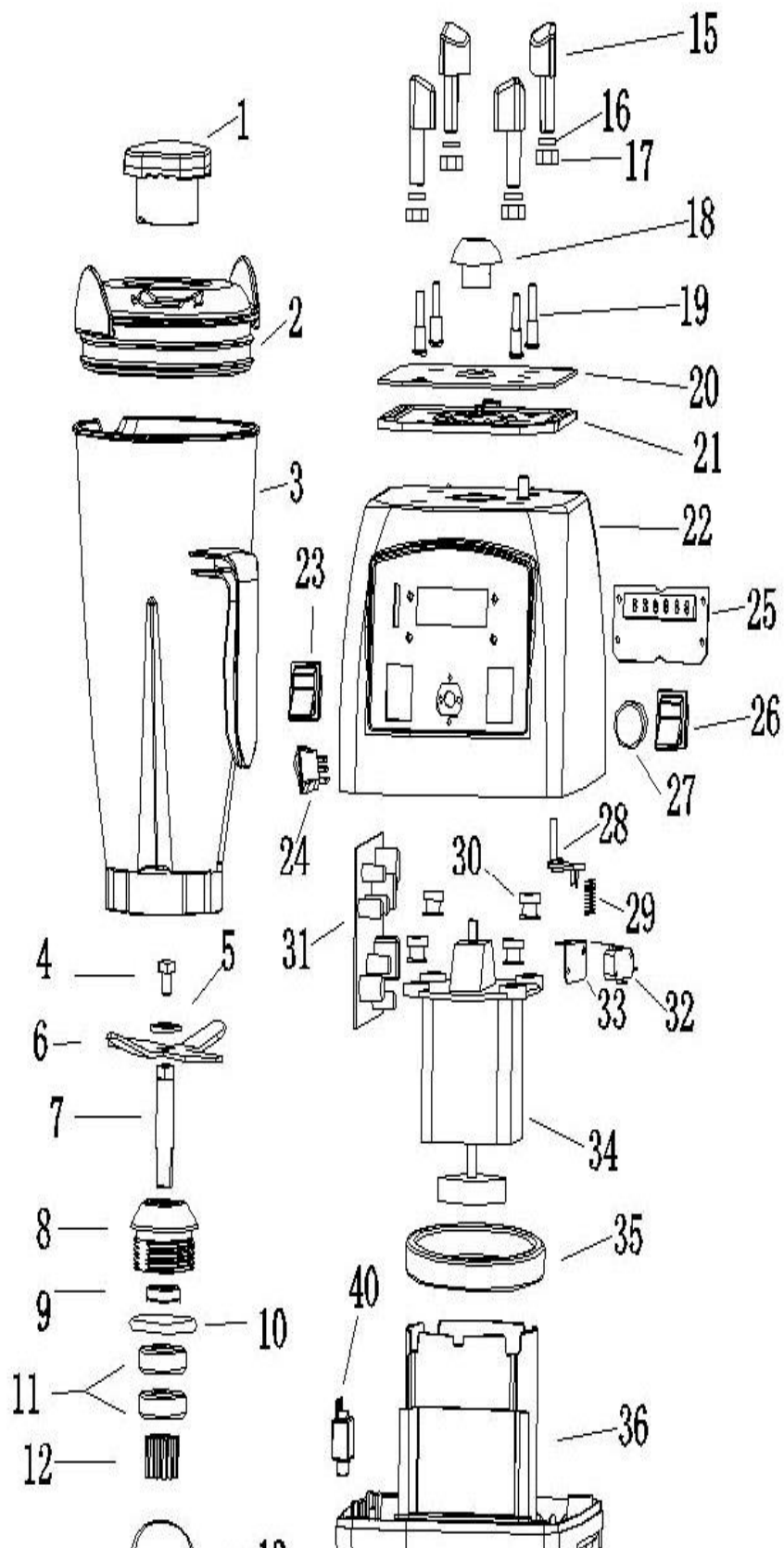
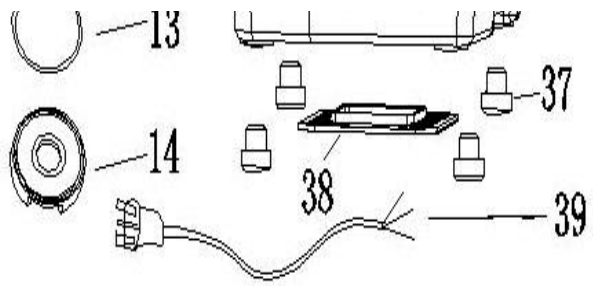


БЛЕНДЕР В-020





№ п/п	Наименование	Кол-во
1	Small cover	1
2	Big cover	1
3	Plastic jug	1
4	Screw - stainless steel	1
5	Meson - stainless steel	1
6	Bit - stainless steel	1
7	Revolution axis - stainless steel	1
8	Bearing wrap - stainless steel	1
9	Guards against the hydrogel - silica gel	1
10	Guards against the hydrogel - Fluorine rubber	1
11	Bearing	2
12	Spline - stainless steel	1
13	Jug sealing	1
14	Nut - s/s	1
15	Positioning pin - aluminum	4
16	Meson	4
17	Nut	4
18	Clutch	1
19	Motor positioning screw	4
20	Pad - s/s	1
21	Rubber pad	1
22	Top cover - ABS	1
23	On/Off switch	1
24	Power switch	1
25	LCD screen	1
26	Pulse switch	1
27	Speed knob	1
28	Safety switch transmitter	1
29	Spring	1
30	Shock proof ring	4
31	Circuit board	1
32	Safety switch	1
33	Safety switch fitting	1

34	Motor	1
35	Cotton	1
36	Foundation	1
37	Anti-slip rubber feet	4
38	Air outlet panel	1
39	Power cable&plug	1
40	Fuse	1