

Quick Installation Guide V1.0.0

CAUTION

- Please make sure the mounting surface is strong enough to hold at least three times of the camera weight.
- Keep the protection film on the dome before installation and adjustment finished to avoid possible scratch.

NOTE

For wooden mounting surface, expansion bolts are optional.

For the installation diagram and adjusting diagram of model A, see Figure 1-1 and Figure 1-2.

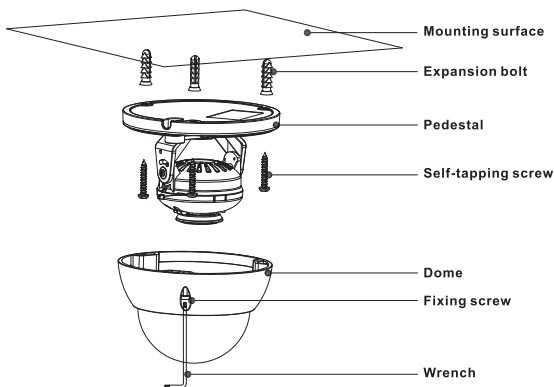


Figure 1-1

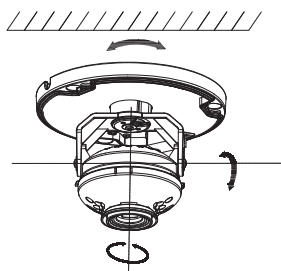


Figure 1-2

For the installation diagram and adjusting diagram of model B, see Figure 1-3 and Figure 1-4.

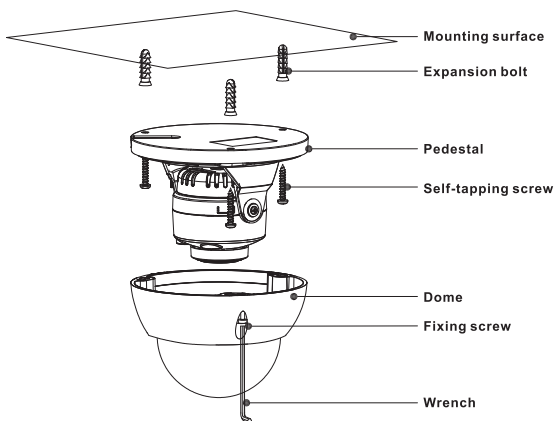


Figure 1-3

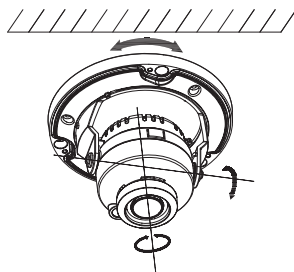


Figure 1-4

For the installation diagram and adjusting diagram of model C, see Figure 1-5 and Figure 1-6.

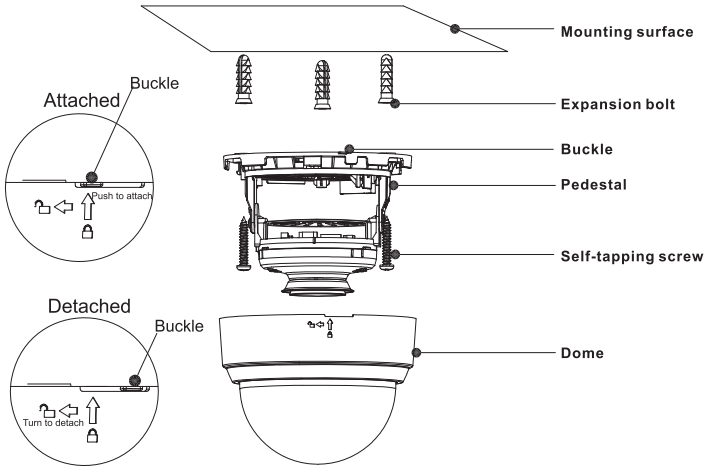


Figure 1-5

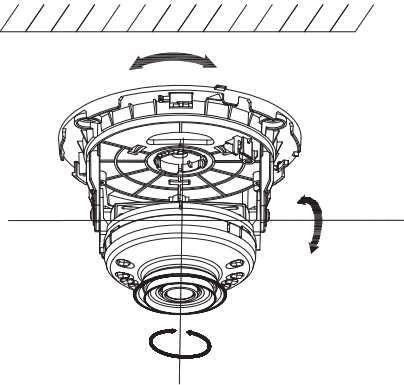


Figure 1-6

 **NOTE**

This manual is for reference only, for more information, please visit our website or contact the local service engineer.