



IRONWOLF^{PRO}

NAS

v6 SATA Product Manual

+Rescue

DATA RECOVERY SERVICES

Standard models

ST6000NE0023

ST4000NE0025

ST2000NE0025

100803998, Rev. G

February 2018

Document Revision History

| Revision | Date | Pages affected and Description of changes |
|----------|------------|---|
| Rev. A | 10/07/2016 | Initial release. |
| Rev. B | 10/26/2016 | fc, 4-7: Broke out 2TB specs 5 & 7: Revised 2TB Sustained data transfer rate (MiB/s max) to 195 MiB/s 6 & 16: Revised Non-Op vibrate to (4Hz/.03g ² /Hz & 100Hz/.03g ² /Hz) 6 & 18: Revised AFR (<1%) & Max Rated Workload (300TB/yr) 11: Added 2TB DC power table 13: Added Power Choice disclaimer 17: Added 2TB Acoustic values 17: Updated Table 7 Radio Frequency environments 24: Removed top cover bullet & image 26-27: Added 2TB mechanical drawing 32: Added Words 97-99 to Identify Device Command table |
| Rev. C | 11/14/2016 | fc & 4-6: Changed 2TB model to ST2000NE0025 4-6: Changed to 512 sector size |
| Rev. D | 11/28/2016 | 6 & 18: Revised AFR to 0.73% |
| Rev. E | 07/24/2017 | fc, 4-7, 12, 15-16, 24 & 30: Delete 8TB model references & specs; Update 6TB to ST6000NE0023 5: Updated 6TB Recording & Track densities 5 & 24: Updated 6TB weight to 705g / 1.55 lb 8-11: Revised voltage tolerances 20: Added Taiwan BSMI statement |
| Rev. F | 09/22/2017 | 15: Updated Figure 2: Location of the HDA temperature check point 20-23: Updated Sections 2.11 through 2.13.3 |
| Rev. G | 02/12/2018 | 23: Updated Table 8: Taiwan - Restricted Substances - Unit row headers = HDD & PCBA 26-27: Updated fastener penetration depth to 0.14" in text & mechanical drawing |

© 2018 Seagate Technology LLC. All rights reserved.

Publication number: 100803998, Rev. G February 2018

Seagate, Seagate Technology and the Spiral logo are registered trademarks of Seagate Technology LLC in the United States and/or other countries. PowerChoice and SeaTools are either trademarks or registered trademarks of Seagate Technology LLC or one of its affiliated companies in the United States and/or other countries. The FIPS logo is a certification mark of NIST, which does not imply product endorsement by NIST, the U.S., or Canadian governments. All other trademarks or registered trademarks are the property of their respective owners.

No part of this publication may be reproduced in any form without written permission of Seagate Technology LLC.

Call 877-PUB-TEK1 (877-782-8351) to request permission.

When referring to drive capacity, one gigabyte, or GB, equals one billion bytes and one terabyte, or TB, equals one trillion bytes. Your computer's operating system may use a different standard of measurement and report a lower capacity. In addition, some of the listed capacity is used for formatting and other functions, and thus will not be available for data storage. Actual quantities will vary based on various factors, including file size, file format, features and application software. Actual data rates may vary depending on operating environment and other factors. The export or re-export of hardware or software containing encryption may be regulated by the U.S. Department of Commerce, Bureau of Industry and Security (for more information, visit www.bis.doc.gov), and controlled for import and use outside of the U.S. Seagate reserves the right to change, without notice, product offerings or specifications.

| | |
|--|----------|
| Seagate® Technology Support Services | 4 |
| <hr/> | |
| 1.0 Introduction | 5 |
| 1.1 About the Serial ATA interface | 5 |
| <hr/> | |
| 2.0 Drive specifications | 6 |
| 2.1 Specification summary tables | 6 |
| 2.2 Formatted capacity | 7 |
| 2.2.1 LBA mode | 7 |
| 2.3 Start/stop times | 8 |
| 2.4 Recording and interface technology | 8 |
| 2.5 Power specifications | 9 |
| 2.5.1 Power consumption | 9 |
| 2.5.2 Conducted noise | 12 |
| 2.5.3 Voltage tolerance | 12 |
| 2.5.4 Extended Power Conditions - PowerChoice™ | 13 |
| 2.6 Environmental limits | 15 |
| 2.6.1 Temperature | 15 |
| 2.6.2 Humidity | 15 |
| 2.6.3 Effective Altitude (sea level) | 15 |
| 2.6.4 Shock | 16 |
| 2.6.5 Vibration | 16 |
| 2.7 Acoustics | 17 |
| 2.8 Test for Prominent Discrete Tones (PDTs) | 17 |
| 2.9 Electromagnetic immunity | 17 |
| 2.10 Reliability | 18 |
| 2.10.1 Annualized Failure Rate (AFR) and Mean Time Between Failures (MTBF) | 18 |
| 2.10.2 Seagate® Rescue™ Data Recovery Service Program Terms (for +Rescue models) | 18 |
| 2.11 Agency and Safety Certifications | 20 |
| 2.12 Safety certification | 20 |
| 2.12.1 European Union (EU) CE Marking Requirements | 20 |
| 2.12.2 Australian RCM Compliance Mark | 20 |
| 2.12.3 Canada ICES-003 | 20 |
| 2.12.4 South Korean KC Certification Mark | 21 |
| 2.12.5 Morocco Commodity Mark | 21 |
| 2.12.6 Taiwanese BSMI | 21 |
| 2.12.7 FCC verification | 21 |
| 2.13 Environmental protection | 22 |
| 2.13.1 European Union Restriction of Hazardous Substance Law | 22 |
| 2.13.2 China Requirements —China RoHS 2 | 22 |
| 2.13.3 Taiwan Requirements — Taiwan RoHS | 23 |
| 2.14 Corrosive environment | 23 |
| 2.15 Product warranty | 24 |

| | | |
|------------|---|-----------|
| 3.0 | Configuring and mounting the drive | 25 |
| 3.1 | Handling and static-discharge precautions | 25 |
| 3.2 | Configuring the drive | 25 |
| 3.3 | Serial ATA cables and connectors | 25 |
| 3.4 | Drive mounting | 26 |
| 3.4.1 | Mechanical specifications | 26 |

| | | |
|------------|--|-----------|
| 4.0 | Serial ATA (SATA) interface | 28 |
| 4.1 | Hot-Plug compatibility | 28 |
| 4.2 | Serial ATA device plug connector pin definitions | 28 |
| 4.3 | Supported ATA commands | 29 |
| 4.3.1 | Identify Device command | 31 |
| 4.3.2 | Set Features command | 34 |
| 4.3.3 | S.M.A.R.T. commands | 35 |

Seagate® Technology Support Services

For information regarding online support and services, visit: <http://www.seagate.com/contacts/>

For information regarding Warranty Support, visit: <http://www.seagate.com/support/warranty-and-replacements/>

For information regarding data recovery services, visit: <http://www.seagate.com/services-software/recover/>

For Seagate OEM, Distribution partner and reseller portals, visit: <http://www.seagate.com/partners/>

1.0 Introduction

This manual describes the functional, mechanical and interface specifications for the following:
Seagate® IronWolf™ Pro v6 Serial ATA model drives:

| Standard models | | |
|-----------------|--------------|--------------|
| ST6000NE0023 | ST4000NE0025 | ST2000NE0025 |

These drives provide the following key features:

- 7200 RPM spindle speed.
- Full-track multiple-sector transfer capability without local processor intervention.
- High instantaneous (burst) data-transfer rates (up to 600MB per second).
- Native Command Queuing with command ordering to increase performance in demanding applications.
- Perpendicular recording technology provides the drives with increased areal density.
- PowerChoice™ for selectable power savings
- SeaTools™ diagnostic software performs a drive self-test that eliminates unnecessary drive returns.
- State-of-the-art cache and on-the-fly error-correction algorithms.
- Support for S.M.A.R.T. drive monitoring and reporting.
- Supports latching SATA cables and connectors.
- Tarnish-resistant components to help protect drive from environmental elements, increasing field reliability.
- Worldwide Name (WWN) capability uniquely identifies the drive.

Note

Seagate recommends validating the configuration with the selected HBA/RAID controller manufacturer to ensure use of full capacity is supported.

1.1 About the Serial ATA interface

The Serial ATA interface provides several advantages over the traditional (parallel) ATA interface. The primary advantages include:

- Easy installation and configuration with true plug-and-play connectivity.
It is not necessary to set any jumpers or other configuration options.
- Thinner and more flexible cabling for improved enclosure airflow and ease of installation.
- Scalability to higher performance levels.

In addition, Serial ATA makes the transition from parallel ATA easy by providing legacy software support. Serial ATA was designed to allow users to install a Serial ATA host adapter and Serial ATA disk drive in the current system and expect all of the existing applications to work as normal.

The Serial ATA interface connects each disk drive in a point-to-point configuration with the Serial ATA host adapter. There is no master/slave relationship with Serial ATA devices like there is with parallel ATA. If two drives are attached on one Serial ATA host adapter, the host operating system views the two devices as if they were both “masters” on two separate ports. This essentially means both drives behave as if they are Device 0 (master) devices.

Note

The host adapter may, optionally, emulate a master/slave environment to host software where two devices on separate Serial ATA ports are represented to host software as a Device 0 (master) and Device 1 (slave) accessed at the same set of host bus addresses. A host adapter that emulates a master/slave environment manages two sets of shadow registers. This is not a typical Serial ATA environment.

The Serial ATA host adapter and drive share the function of emulating parallel ATA device behavior to provide backward compatibility with existing host systems and software. The Command and Control Block registers, PIO and DMA data transfers, resets, and interrupts are all emulated.

The Serial ATA host adapter contains a set of registers that shadow the contents of the traditional device registers, referred to as the Shadow Register Block. All Serial ATA devices behave like Device 0 devices. For additional information about how Serial ATA emulates parallel ATA, refer to the “Serial ATA: High Speed Serialized AT Attachment” specification. The specification can be downloaded from www.serialata.org.

2.0 Drive specifications

Unless otherwise noted, all specifications are measured under ambient conditions, at 25°C, and nominal power. For convenience, the phrases *the drive* and *this drive* are used throughout this manual to indicate the following drive models:

| Standard models | | |
|-----------------|--------------|--------------|
| ST6000NE0023 | ST4000NE0025 | ST2000NE0025 |

2.1 Specification summary tables

The specifications listed in the following tables are for quick reference. For details on specification measurement or definition, see the appropriate section of this manual.

Table 1 Drive specifications summary

| Drive specification | ST6000NE0023 | ST4000NE0025 | ST2000NE0025 |
|---|---|-------------------|----------------|
| Formatted (512 bytes/sector)* | 6TB | 4TB | 2TB |
| Guaranteed sectors | (see Section 2.2) | | |
| Heads | 12 | 7 | 4 |
| Discs | 6 | 4 | 2 |
| Bytes per logical sector | 512 | | |
| Bytes per physical sector | 4096 | | 512 |
| Recording density, KBPI (Kb/in max) | 1984 | | 1936 |
| Track density, KTPI (ktracks/in avg.) | 370 | | 330 |
| Areal density, (Gb/in ² avg) | 732 | | 651 |
| Spindle speed (RPM) | 7200 | | |
| Internal data transfer rate (Mb/s max) | 2396 | | 2585 |
| Maximum Sustained data transfer rate OD | 214 MB/s | | 195 MB/s |
| I/O data-transfer rate (MB/s max) | 600 | | |
| ATA data-transfer modes supported | PIO modes 0–4 Multiword DMA modes 0–2 Ultra DMA modes 0–6 | | |
| Cache buffer | 256MB (262,144KB) | 128MB (129,536KB) | |
| Weight: (maximum) | 705g (1.55 lb) | 680g (1.50 lb) | 550g (1.21 lb) |
| Average latency | 4.16ms | | |
| Power-on to ready (sec) (typ/max) | 23/30 | | 17 |
| Standby to ready (sec) (typ/max) | 23/30 | | 17 |
| Startup current (typical) 12V (peak) | 2.0A | | |
| Voltage tolerance (including noise) | 5V +10/-5% 12V ±10% | | |
| Non-Operating ambient temperature (°C) | –40° to 70° | | |
| Operating ambient temperature (min °C) | 5° | | |
| Operating temperature (Drive case max °C) | 60° † | | |
| Temperature gradient (°C per hour max) | 20°C (operating) 30°C (non-operating) | | |
| Relative humidity | 5% to 95% (operating) 5% to 95% (non-operating) | | |
| Relative humidity gradient | 30% per hour max | | |
| Altitude, operating | –304.8 m to 3,048 m (–1000 ft to 10,000+ ft) | | |
| Altitude, non-operating (below mean sea level, max) | –304.8 m to 12,192 m (–1000 ft to 40,000+ ft) | | |
| Operational Shock (max at 2 ms) | Read 70 Gs / Write 40 Gs | | |
| Non-Operational Shock (max at 2 ms) | 250 Gs | 300 Gs | |

| Drive specification | ST6000NE0023 | ST4000NE0025 | ST2000NE0025 |
|--|--|--------------|----------------------------|
| Vibration, operating | 5–22 Hz: 0.25 Gs, Limited displacement 22–350 Hz: 0.50 Gs 350–500 Hz: 0.25 Gs | | |
| Operation Rotational vibration | 20–1500Hz: 12.5 rads/s ² | | |
| Vibration, non-operating (Random psd) | 2–500 Hz: 2Hz/.001g ² /Hz 4Hz/.03g ² /Hz 100Hz/.03g ² /Hz 500Hz/.001g ² /Hz | | |
| Drive acoustics, sound power (bels) | | | |
| Idle** | 2.8 (typical) 3.0 (max) | | 2.2 (typical) 2.4 (max) |
| Performance seek | 3.2 (typical) 3.4 (max) | | 2.6 (typical) 2.8 (max) |
| Non-recoverable read errors | 1 sector per 10 ¹⁵ bits read | | |
| Annualized Failure Rate (AFR) | 0.73% based on 8760 POH | | |
| Maximum Rated Workload | Maximum rate of 300TB/year. Workloads exceeding the annualized rate may degrade the drive MTBF and impact product reliability. The Annualized Workload Rate is in units of TB per year, or TB per 8760 power on hours. Workload Rate = TB transferred * (8760 / recorded power on hours). | | |
| Warranty | To determine the warranty for a specific drive, use a web browser to access the following web page: http://www.seagate.com/support/warranty-and-replacements/ . From this page, click on the "Is my Drive under Warranty" link. The following are required to be provided: the drive serial number, model number (or part number) and country of purchase. The system will display the warranty information for the drive. | | |
| Load-unload cycles | 600,000 | | |
| Supports Hotplug operation per Serial ATA Revision 3.2 specification | Yes | | |

* One GB equals one billion bytes when referring to hard drive capacity. Accessible capacity may vary depending on operating environment and formatting.

** During periods of drive idle, some offline activity may occur according to the S.M.A.R.T. specification, which may increase acoustic and power to operational levels.

† Seagate does not recommend operating at sustained case temperatures above 60°C.
Operating at higher temperatures will reduce useful life of the product.

2.2 Formatted capacity

| ST models | Formatted capacity* | Guaranteed sectors | Bytes per logical sector |
|--------------|---------------------|--------------------|--------------------------|
| ST6000NE0023 | 6TB | 11,721,045,168 | 512 |
| ST4000NE0025 | 4TB | 7,814,037,168 | |
| ST2000NE0025 | 2TB | 3,907,029,168 | |

*One GB equals one billion bytes when referring to hard drive capacity. Accessible capacity may vary depending on operating environment and formatting.

2.2.1 LBA mode

When addressing these drives in LBA mode, all blocks (sectors) are consecutively numbered from 0 to $n-1$, where n is the number of guaranteed sectors as defined above.

See Section 4.3.1, "Identify Device command" (words 60-61 and 100-103) for additional information about 48-bit addressing support of drives with capacities over 137GB.

2.3 Start/stop times

| | 4TB-6TB models | 2TB model |
|-----------------------------------|----------------|-----------|
| Power-on to Ready (sec) (typ/max) | 23/30 | 17 |
| Standby to Ready (sec) (typ/max) | 23/30 | 17 |
| Ready to spindle stop (sec) (max) | 23 | 12 |

2.4 Recording and interface technology

| Models | 6TB | 4TB | 2TB |
|--|------------------------|-----|------|
| Interface | Serial ATA (SATA) | | |
| Recording method | Perpendicular | | |
| Recording density, KBPI (Kb/in max) | 1984 | | 1936 |
| Track density, KTPI (ktracks/in avg) | 370 | | 330 |
| Areal density (Gb/in ² avg) | 732 | | 651 |
| Spindle speed (RPM) (\pm 0.2%) | 7200 | | |
| Internal data transfer rate (Mb/s max) | 2396 | | 2585 |
| Sustained data transfer rate (MiB/s max) | 214 | | 195 |
| I/O data-transfer rate (MB/s max) | 600 (Ultra DMA mode 5) | | |

2.5 Power specifications

The drive receives DC power (+5V or +12V) through a native SATA power connector. See Figure 3 on page 25.

2.5.1 Power consumption

Power requirements for the drives are listed in Table 2 through Table 4. Typical power measurements are based on an average of drives tested, under nominal conditions, using 5.0V and 12.0V input voltage at 25°C ambient temperature.

Table 2 DC power requirements (6TB)

| | | 6.0Gb mode | | |
|--|------------|------------|-------|-------|
| Voltage | | +5V | +12V | Watts |
| Regulation | | ± 5% | ± 10% | Total |
| Avg Idle Current * | | 0.418 | 0.452 | 7.52 |
| Advanced Idle Current * | | | | |
| | Idle_A | 0.422 | 0.474 | 7.80 |
| | Idle_B | 0.327 | 0.392 | 6.33 |
| | Idle_C | 0.335 | 0.235 | 4.49 |
| | Standby | 0.317 | 0.007 | 1.66 |
| Peak operating current (random read): | | | | |
| | Typical DC | 0.439 | 0.820 | 12.03 |
| | Maximum DC | 0.444 | 0.825 | 12.11 |
| Peak operating current (random write) | | | | |
| | Typical DC | 0.455 | 0.725 | 10.97 |
| | Maximum DC | 0.460 | 0.728 | 11.04 |
| Peak operating current (sequential read) | | | | |
| | Typical DC | 0.439 | 0.475 | 7.90 |
| | Maximum DC | 0.444 | 0.477 | 7.94 |
| Peak operating current (sequential write) | | | | |
| | Typical DC | 0.606 | 0.498 | 9.01 |
| | Maximum DC | 0.611 | 0.500 | 9.06 |

*During periods of drive idle, some offline activity may occur according to the S.M.A.R.T. specification, which may increase acoustic and power to operational levels.

Table 3 DC power requirements (4TB)

| | | 6.0Gb mode | | |
|--|------------|-------------------|--------------|--------------|
| Voltage | | +5V | +12V | Watts |
| Regulation | | ± 5% | ± 10% | Total |
| Avg Idle Current * | | 0.205 | 0.369 | 5.45 |
| Advanced Idle Current * | | | | |
| | Idle_A | 0.200 | 0.393 | 5.70 |
| | Idle_B | 0.133 | 0.330 | 4.63 |
| | Idle_C | 0.141 | 0.202 | 3.13 |
| | Standby | 0.125 | 0.001 | 0.63 |
| Peak operating current (random read): | | | | |
| | Typical DC | 0.234 | 0.724 | 9.86 |
| | Maximum DC | 0.238 | 0.734 | 10.00 |
| Peak operating current (random write) | | | | |
| | Typical DC | 0.245 | 0.692 | 9.52 |
| | Maximum DC | 0.248 | 0.701 | 9.65 |
| Peak operating current (sequential read) | | | | |
| | Typical DC | 0.505 | 0.402 | 7.35 |
| | Maximum DC | 0.512 | 0.407 | 7.45 |
| Peak operating current (sequential write) | | | | |
| | Typical DC | 0.443 | 0.427 | 7.33 |
| | Maximum DC | 0.448 | 0.430 | 7.40 |

*During periods of drive idle, some offline activity may occur according to the S.M.A.R.T. specification, which may increase acoustic and power to operational levels

Table 4 2TB Drive DC power requirements

| | | 6.0Gb mode | | |
|--|------------|-------------------|--------------|--------------|
| Voltage | | +5V | +12V | Watts |
| Regulation | | ± 5% | ± 10% | Total |
| Avg Idle Current * | | 0.288 | 0.267 | 4.64 |
| Advanced Idle Current * | | | | |
| | Idle_A | 0.287 | 0.265 | 4.61 |
| | Idle_B | 0.172 | 0.236 | 3.70 |
| | Idle_C | 0.181 | 0.145 | 2.64 |
| | Standby | 0.162 | 0.000 | 0.82 |
| Peak operating current (random read): | | | | |
| | Typical DC | 0.311 | 0.562 | 8.30 |
| | Maximum DC | 0.317 | 0.569 | 8.41 |
| Peak operating current (random write) | | | | |
| | Typical DC | 0.320 | 0.557 | 8.29 |
| | Maximum DC | 0.326 | 0.567 | 8.43 |
| Peak operating current (sequential read) | | | | |
| | Typical DC | 0.579 | 0.270 | 6.14 |
| | Maximum DC | 0.590 | 0.278 | 6.29 |
| Peak operating current (sequential write) | | | | |
| | Typical DC | 0.514 | 0.294 | 6.10 |
| | Maximum DC | 0.523 | 0.302 | 6.24 |

*During periods of drive idle, some offline activity may occur according to the S.M.A.R.T. specification, which may increase acoustic and power to operational levels.

2.5.1.1 Typical current profiles

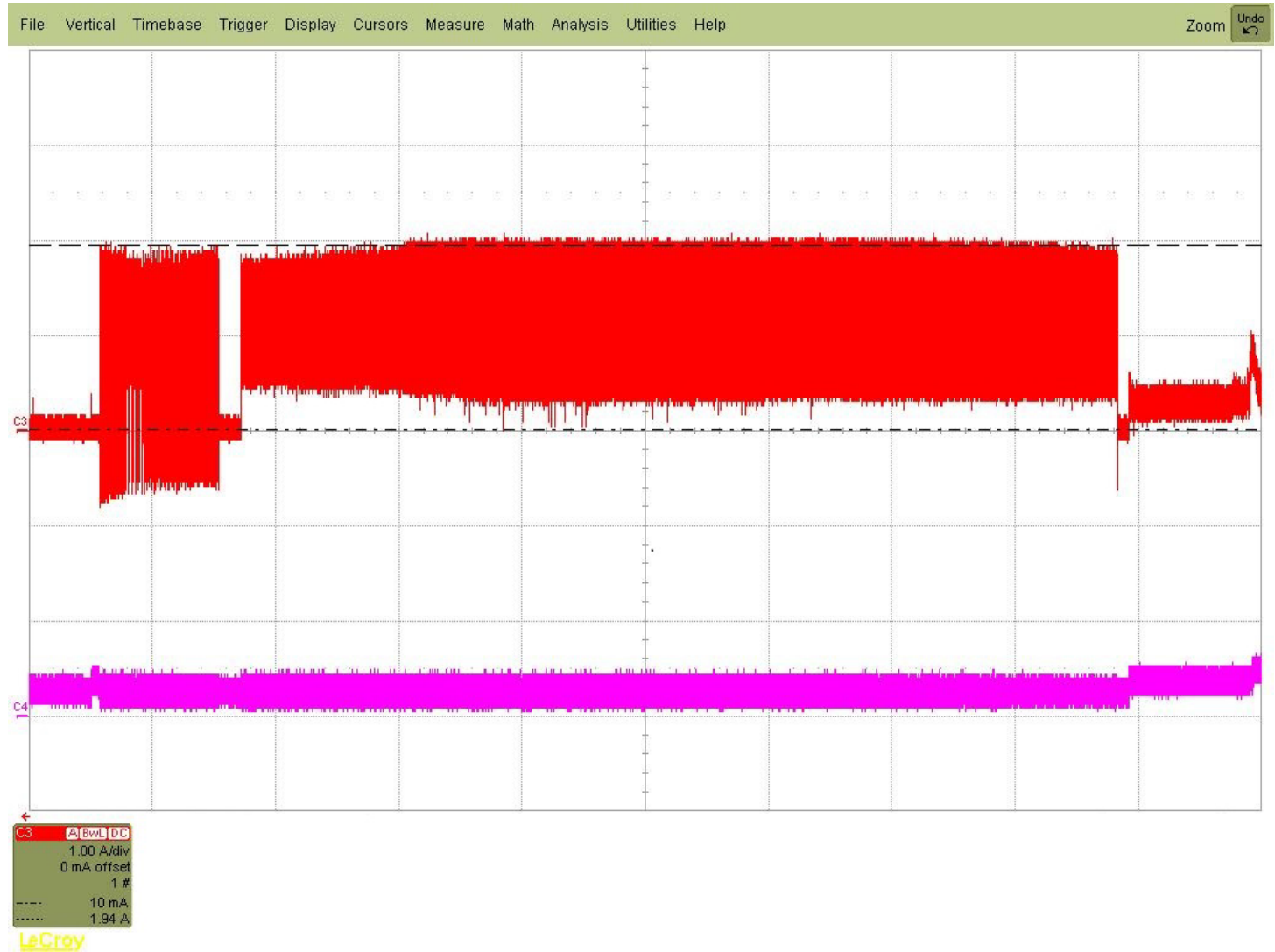


Figure 1. Typical 5V and 12V startup and operation current profile

2.5.2 Conducted noise

Input noise ripple is measured at the host system power supply across an equivalent 80-ohm resistive load on the +12 V line or an equivalent 15-ohm resistive load on the +5V line.

- Using 12V power, the drive is expected to operate with a maximum of 120mV peak-to-peak square-wave injected noise at up to 10MHz.
- Using 5V power, the drive is expected to operate with a maximum of 100mV peak-to-peak square-wave injected noise at up to 10MHz.

Note Equivalent resistance is calculated by dividing the nominal voltage by the typical RMS read/write current.

2.5.3 Voltage tolerance

Voltage tolerance (including noise):

5V $\pm 5\%$ 12V $\pm 10\%$

2.5.4 Extended Power Conditions - PowerChoice™

The Power Choice features are supported on 4TB & 6TB models.

Utilizing the load/unload architecture a programmable power management interface is provided to tailor systems for reduced power consumption and performance requirements.

The table below lists the supported power conditions available in PowerChoice. Power conditions are ordered from highest power consumption (and shortest recovery time) to lowest power consumption (and longest recovery time) as follows: Idle_a power >= Idle_b power >= Idle_c power >= Standby_z power. The further users go down in the table, the more power savings is actualized. For example, Idle_b results in greater power savings than the Idle_a power condition. Standby results in the greatest power savings.

| Power Condition Name | Power Condition ID | Description |
|----------------------|--------------------|--|
| Idle_a | 81 _H | Reduced electronics |
| Idle_b | 82 _H | Heads unloaded. Disks spinning at full RPM |
| Idle_c | 83 _H | Heads unloaded. Disks spinning at reduced RPM |
| Standby_z | 00 _H | Heads unloaded. Motor stopped (disks not spinning) |

Each power condition has a set of current, saved and default settings. Default settings are not modifiable. Default and saved settings persist across power-on resets. The current settings do not persist across power-on resets. At the time of manufacture, the default, saved and current settings are in the Power Conditions log match.

PowerChoice is invoked using one of two methods

- Automatic power transitions which are triggered by expiration of individual power condition timers. These timer values may be customized and enabled using the Extended Power Conditions (EPC) feature set using the standardized Set Features command interface.
- Immediate host commanded power transitions may be initiated using an EPC Set Features "Go to Power Condition" subcommand to enter any supported power condition. Legacy power commands Standby Immediate and Idle Immediate also provide a method to directly transition the drive into supported power conditions.

PowerChoice exits power saving states under the following conditions

- Any command which requires the drive to enter the PM0: Active state (media access)
- Power on reset

PowerChoice provides the following reporting methods for tracking purposes

Check Power Mode Command

- Reports the current power state of the drive

Identify Device Command

- EPC Feature set supported flag
- EPC Feature enabled flag is set if at least one Idle power condition timer is enabled

Power Condition Log reports the following for each power condition

- Nominal recovery time from the power condition to active
- If the power condition is Supported, Changeable, and Savable
- Default enabled state, and timer value
- Saved enabled state, and timer value
- Current enabled state, and timer value

S.M.A.R.T. Read Data Reports

- Attribute 192 - Emergency Retract Count
- Attribute 193 - Load/Unload Cycle Count

PowerChoice Manufacture Default Power Condition Timer Values

Default power condition timer values have been established to assure product reliability and data integrity. A minimum timer value threshold of two minutes ensures the appropriate amount of background drive maintenance activities occur. Attempting to set a timer values less than the specified minimum timer value threshold will result in an aborted EPC "Set Power Condition Timer" subcommand.

| Power Condition Name | Manufacturer Default Timer Values |
|----------------------|------------------------------------|
| Idle_a | 100 msec |
| Idle_b | 2 min |
| Idle_c | supported (not enabled by default) |
| Standby_z | supported (not enabled by default) |

Setting power condition timer values less than the manufacturer specified defaults or issuing the EPC "Go to Power Condition" subcommand at a rate exceeding the default timers may limit this products reliability and data integrity.

PowerChoice Supported Extended Power Condition Feature Subcommands

| EPC Subcommand | Description |
|-----------------|----------------------------------|
| 00 _H | Restore Power Condition Settings |
| 01 _H | Go to Power Condition |
| 02 _H | Set Power Condition Timer |
| 03 _H | Set Power Condition State |
| 04 _H | Enable EPC Feature Set |
| 05 _H | Disable EPC Feature Set |

PowerChoice Supported Extended Power Condition Identifiers

| Power Condition Identifiers | Power Condition Name |
|-----------------------------|--------------------------|
| 00 _H | Standby_z |
| 01 - 80 _H | Reserved |
| 81 _H | Idle_a |
| 82 _H | Idle_b |
| 83 _H | Idle_c |
| 84 - FE _H | Reserved |
| FF _H | All EPC Power Conditions |

2.6 Environmental limits

Temperature and humidity values experienced by the drive must be such that condensation does not occur on any drive part. Altitude and atmospheric pressure specifications are referenced to a standard day at 58.7°F (14.8°C).

Note To maintain optimal performance drives should be run at nominal drive temperatures and humidity.

2.6.1 Temperature

a. Operating

41°F to 140°F (5°C to 60°C) drive case temperature range with a maximum temperature gradient of 36°F (20°C) per hour.

The maximum allowable drive case temperature is 140°F (60°C).

Note Seagate does not recommend operating at sustained case temperatures above 60°C. Operating at higher temperatures will reduce useful life of the product.

Air flow may be required to achieve consistent nominal case temperature values (see Section 3.4). To confirm that the required cooling is provided for the electronics and HDA, place the drive in its final mechanical configuration, and perform random write/read operations. After the temperatures stabilize, measure the case temperature of the drive. See Figure 2 for HDA temperature checkpoint.

b. Non-operating

–40° to 158°F (–40° to 70°C) package ambient with a maximum gradient of 36°F (20°C) per hour. This specification assumes that the drive is packaged in the shipping container designed by Seagate for use with drive.

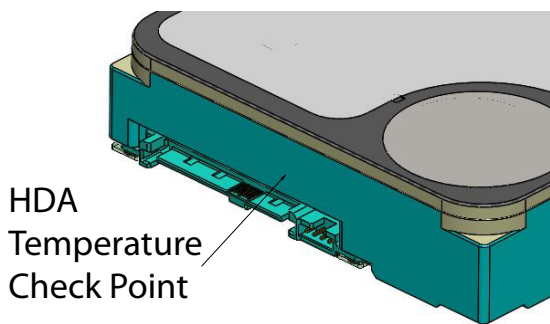


Figure 2. Location of the HDA temperature check point

Note Image is for reference only, may not represent actual drive

2.6.2 Humidity

The values below assume that no condensation on the drive occurs. Maximum wet bulb temperature is 84.2°F (29°C).

2.6.2.1 Relative humidity

| | |
|----------------|---|
| Operating: | 5% to 95% non-condensing relative humidity with a maximum gradient of 20% per hour. |
| Non-operating: | 5% to 95% non-condensing relative humidity with a maximum gradient of 20% per hour. |

2.6.3 Effective Altitude (sea level)

| | |
|----------------|---|
| Operating: | –304.8 m to 3048 m (–1000 ft. to 10,000+ ft.) |
| Non-operating: | –304.8 m to 12,192 m (–1000 ft. to 40,000+ ft.) |

2.6.4 Shock

All shock specifications assume that the drive is mounted securely with the input shock applied at the drive mounting screws. Shock may be applied in the X, Y or Z axis.

2.6.4.1 Operating shock

These drives comply with the performance levels specified in this document when subjected to a maximum operating shock of 70 Gs (read) and 40 Gs (write) based on half-sine shock pulses of 2ms. Shocks should not be repeated more than two times per second.

2.6.4.2 Non-operating shock

6TB

The non-operating shock level that the drive can experience without incurring physical damage or degradation in performance when subsequently put into operation is 250 Gs based on a nonrepetitive half-sine shock pulse of 2ms duration.

2TB & 4TB

The non-operating shock level that the drive can experience without incurring physical damage or degradation in performance when subsequently put into operation is 300 Gs based on a nonrepetitive half-sine shock pulse of 2ms duration.

2.6.5 Vibration

All vibration specifications assume that the drive is mounted securely with the input vibration applied at the drive mounting screws. Vibration may be applied in the X, Y or Z axis.

2.6.5.1 Operating vibration

The maximum vibration levels that the drive may experience while meeting the performance standards specified in this document are specified below.

| | |
|------------------------|---------------------------------|
| 5–22 Hz | 0.25 Gs |
| 22–350 Hz | 0.50 Gs |
| 350–500 Hz | 0.25 Gs |
| 20 - 1500Hz *(RROV) | 12.5 rads/s ² w/RVFF |

* Rotary Random Operating Vibration

2.6.5.2 Non-operating vibration

The maximum non-operating vibration levels that the drive may experience without incurring physical damage or degradation in performance when subsequently put into operation are specified below.

| | |
|--------------------------|--|
| 2–500 Hz (Random psd) | 2Hz/.001g ² /Hz 4Hz/.03g ² /Hz 100Hz/.03g ² /Hz 500Hz/.001g ² /Hz |
|--------------------------|--|

2.7 Acoustics

Drive acoustics are measured as overall A-weighted acoustic sound power levels (no pure tones). All measurements are consistent with ISO document 7779. Sound power measurements are taken under essentially free-field conditions over a reflecting plane. For all tests, the drive is oriented with the cover facing upward.

| | |
|-------------|--|
| Note | For seek mode tests, the drive is placed in seek mode only. The number of seeks per second is defined by the following equation: (Number of seeks per second = $0.4 / (\text{average latency} + \text{average access time})$) |
|-------------|--|

Table 5 Fluid Dynamic Bearing (FDB) motor acoustics

| | Idle* | Performance seek |
|-----------------------------|----------------------------------|----------------------------------|
| 6TB & 4TB models | 2.8 bels (typ) 3.0 bels (max) | 3.2 bels (typ) 3.4 bels (max) |
| 2TB models | 2.2 bels (typ) 2.4 bels (max) | 2.6 bels (typ) 2.8 bels (max) |

*During periods of drive idle, some offline activity may occur according to the S.M.A.R.T. specification, which may increase acoustic and power to operational levels.

2.8 Test for Prominent Discrete Tones (PDTs)

Seagate follows the ECMA-74 standards for measurement and identification of PDTs. An exception to this process is the use of the absolute threshold of hearing. Seagate uses this threshold curve (originated in ISO 389-7) to discern tone audibility and to compensate for the inaudible components of sound prior to computation of tone ratios according to Annex D of the ECMA-74 standards.

2.9 Electromagnetic immunity

When properly installed in a representative host system, the drive operates without errors or degradation in performance when subjected to the radio frequency (RF) environments defined in the following table:

Table 6 Radio frequency environments

| Specification | Test method | Test Conditions | Compliance |
|----------------------------------|-------------------|---|------------|
| Electrostatic discharge | IEC/EN 61000-4-2 | ± 4 kV Contact / HCP, VCP / ± 8 kV Air (minimum of 500 discharges applied) | Compliant |
| Radiated RF immunity | IEC/EN 61000-4-3 | 80 -1000 MHz, 3 V/m, 80% 1 kHz AM | Compliant |
| EFT / Burst | IEC/EN 61000-4-4 | ± 0.5 kV I/O, ± 1.0 kV AC mains | Compliant |
| Surge immunity | IEC/EN 61000-4-5 | AC mains: 1.2/50 μ s @ ± 2 kV common mode, ± 1 kV differential | Compliant |
| Conducted RF immunity | IEC/EN 61000-4-6 | 150 kHz to 80 MHz, 3 Vrms, 80% 1 kHz AM, AC input, DC input and I/O | Compliant |
| Power Frequency H-field immunity | IEC/EN 61000-4-8 | 1 A/m, 50/60 Hz, 3 axes, 400 gauss | Compliant |
| Voltage dips and interrupts | IEC/EN 61000-4-11 | >95% reduction for 0.5 cycles, 30% reduction for 25 cycles, >95% reduction for 250 cycles | Compliant |

2.10 Reliability

2.10.1 Annualized Failure Rate (AFR) and Mean Time Between Failures (MTBF)

The production disk drive shall achieve an annualized failure-rate of 0.73% (MTBF of 1,200,000 hours) over a 5 year service life when used in Enterprise Storage field conditions as limited by the following:

- 8760 power-on hours per year.
- HDA temperature as reported by the drive $\leq 40^{\circ}\text{C}$
- Ambient wet bulb temp $\leq 26^{\circ}\text{C}$
- Typical workload
- The AFR (MTBF) is a population statistic not relevant to individual units
- ANSI/ISA S71.04-2013 G2 classification levels and dust contamination to ISO 14644-1 Class 8 standards (as measured at the device)

The MTBF specification for the drive assumes the operating environment is designed to maintain nominal drive temperature and humidity. Occasional excursions in operating conditions between the rated MTBF conditions and the maximum drive operating conditions may occur without significant impact to the rated MTBF. However continual or sustained operation beyond the rated MTBF conditions will degrade the drive MTBF and reduce product reliability.

| | |
|----------------------------|---|
| Nonrecoverable read errors | 1 per 10^{15} bits read, max |
| Load unload cycles | 600,000 cycles |
| Maximum Rated Workload | Maximum rate of 300TB/year Workloads exceeding the annualized rate may degrade the drive MTBF and impact product reliability. The Annualized Workload Rate is in units of TB per year, or TB per 8760 power on hours. Workload Rate = TB transferred * (8760 / recorded power on hours). |
| Warranty | To determine the warranty for a specific drive, use a web browser to access the following web page: http://www.seagate.com/support/warranty-and-replacements/ . From this page, click on the "Is my Drive under Warranty" link. The following are required to be provided: the drive serial number, model number (or part number) and country of purchase. The system will display the warranty information for the drive. |
| Preventive maintenance | None required. |

2.10.2 Seagate® Rescue™ Data Recovery Service Program Terms (for +Rescue models)

5-year HDD warranty coverage + concurrent 2 year Rescue Data Recovery service.

To enable Rescue Data Recovery warranty coverage register at [Seagate.com/register](http://www.seagate.com/register).

If you suffer a data loss event within the first 2 years of your 5 year warranty and you are eligible to participate in and submit a case under the Seagate Rescue Data Recovery program, contact SRS at [800-475-0143](tel:800-475-0143) or if you are calling from outside the US, please visit our website for numbers in your local and language: <http://www.seagate.com/services-software/recover/resources/>.

An SRS representative will review your case to confirm your eligibility, and to assess whether your data may be recoverable by remote recovery services or whether you will need to send your device to SRS for in-lab servicing.

Rescue™ General Terms

These Rescue™ General Terms together with the Rescue™ FAQ's make up the Rescue™ Program Terms. By submitting a case under the Rescue™ program ("Program") you agree to be bound by the Program Terms, including these General Terms and the FAQ

Communications.

All communications relating to your request will be available on our web site in your account and sent via e-mail to the address you provide to us unless you request, in writing, to receive such communications via regular mail.

Personal Data.

You must provide true, accurate and complete information about yourself as prompted by the request form, including, without limitation, your name, address, e-mail address, and telephone number, as applicable (collectively, "Personal Data"). You must maintain and promptly update your Personal Data. You acknowledge that we may send you important information and notices regarding your requests by e-mail and that we shall have no liability associated with or arising from your failure to maintain accurate Personal Data.

Capacity; Legal Rights; Indemnity.

You represent to SRS that you are of the legal age of majority in your state or country of residence, with the full capacity to agree to these Program Terms. You warrant that you are the legal owner or the authorized representative of the legal owner of the device you submit to SRS (the "Device") and data. You warrant that the data on the Device is legal and that you have the unrestricted legal right to (a) give us remote access to the data, (b) have the data recovered and reproduced on a backup medium, (c) receive the recovered data, and (d) agree to these Program Terms. You will defend and indemnify us (including our directors, officers, employees, agents, delegates, and contractors) from any claims or actions relating to the Device or data, or your rights or lack of rights thereto.

Confidentiality.

We will protect the confidentiality of your data against unauthorized disclosure using the same degree of care as we use to protect our own confidential information.

Disclaimer of Warranties, Representations and Guarantees.

WE PROVIDE THE PROGRAM AND ANY SERVICES PROVIDED OR ATTEMPTED HEREUNDER "AS IS," WITH ALL FAULTS, AT YOUR SOLE RISK. WE DO NOT EXTEND ANY EXPRESS WARRANTIES, REPRESENTATIONS, CONDITIONS OR GUARANTEES REGARDING OUR RESCUE SERVICES OR ANY RESULTS THEREOF. TO THE MAXIMUM EXTENT PERMITTED BY APPLICABLE LAW AND SUBJECT TO ANY STATUTORY WARRANTIES THAT CANNOT BE EXCLUDED, WE EXPRESSLY DISCLAIM ALL IMPLIED WARRANTIES, INCLUDING ANY IMPLIED WARRANTY OR CONDITION OF MERCHANTABILITY, WARRANTY OF FITNESS FOR A PARTICULAR PURPOSE, OR WARRANTY OF ACCURACY OR COMPLETENESS WITH RESPECT TO THIS PROGRAM AND SERVICES. This Program and Disclaimer is unrelated to, and does not affect any warranties relating to your Device that we or the seller may have extended to you.

Limitation of Liability.

WE WILL NOT BE LIABLE FOR ANY HARM CAUSED, UNLESS YOU PROVE THAT WE CAUSED SUCH HARM INTENTIONALLY. WITHOUT LIMITING THE GENERALITY OF THE FOREGOING, WE WILL NOT BE LIABLE FOR THE CONDITION, EXISTENCE, OR LOSS OF THE DATA YOU SEND US OR THE DATA WE RECOVER (IF ANY), ANY LOSS OF REVENUE OR LOSS OF PROFITS, OR ANY INDIRECT, SPECIAL, INCIDENTAL, OR CONSEQUENTIAL DAMAGES HOWEVER CAUSED. TO THE MAXIMUM EXTENT PERMITTED BY APPLICABLE LAW, THIS LIMITATION SHALL APPLY TO ANY AND ALL DAMAGES, REGARDLESS OF THE LEGAL THEORY ON WHICH THEY ARE ASSERTED (INCLUDING, WITHOUT LIMITATION, CONTRACT, BREACH OF CONTRACT, AND TORT), AND REGARDLESS OF WHETHER WE HAVE BEEN ADVISED OF THE POSSIBILITY OF LOSS OR DAMAGES - UNLESS YOU PROVE THAT SRS CAUSED DAMAGES TO YOU INTENTIONALLY. TO THE MAXIMUM EXTENT PERMITTED BY APPLICABLE LAW, THE AMOUNT OF OUR LIABILITY WILL NOT EXCEED THE TOTAL PRICE YOU ACTUALLY PAY FOR THE DEVICE, THE ESSENTIAL PURPOSE OF WHICH IS TO LIMIT OUR LIABILITY ARISING FROM OR RELATED TO THE PROGRAM AND ANY DATA RECOVERY SERVICES. THIS ALLOCATION OF RISK IS REFLECTED IN THE PRICE CHARGED FOR THIS PROGRAM OR SERVICES, IF ANY. YOU ACKNOWLEDGE THAT THE PRICE OF THIS PROGRAM WOULD BE MUCH GREATER IF WE UNDERTOOK MORE EXTENSIVE LIABILITY. THIS PARAGRAPH WILL APPLY NOTWITHSTANDING ANY OTHER PROVISIONS IN THESE TERMS, OR THE FAILURE OF ANY REMEDY.

Compliance with Laws.

You agree to comply with all such laws and regulations and all other applicable laws, statutes, ordinances and regulations relating to the Program. You acknowledge that violations of these Program Terms could subject you to criminal or civil penalties. The goods licensed or provided, or services provided, through the Program, which may include technology and software, are subject to the customs and export control laws and regulations of the U.S. and may also be subject to the customs and export laws and regulations of the country in which the products are manufactured or received. Further, under U.S. law, such goods may not be sold, leased or otherwise transferred to restricted countries, or used by a restricted end-user or an end-user engaged in activities related to weapons of mass destruction including, without limitation, activities related to designing, developing, producing or using nuclear weapons, materials, or facilities, missiles or supporting missile projects, or chemical or biological weapons. You acknowledge you are not a restricted end-user or involved in any of the restricted activities above, and that you will comply with and abide by these laws and regulations. Seagate reserves the right to refuse service to or the return of any storage devices that have been determined to violate these regulations.

Cancellation.

You may cancel the Program at any time by contacting SRS at 1-800-SEAGATE (1-800-475-0143) in the US, or at such other number available at <http://www.seagate.com/services-software/recover/resources/>, or you simply may refrain from submitting a request for Rescue services. These Program Terms remain applicable to your and SRS's rights and obligations with respect to any services requested by you under this Program.

Assignment.

You may not assign your rights or obligations under these Program Terms without SRS' express written consent.

Dispute Resolution.

The parties will attempt to resolve any dispute arising out of or related to these Program Terms or any data recovery services requested or attempted hereunder through good faith negotiation. To the extent permitted by applicable law, if the parties are unable to resolve the dispute through good faith negotiation, then the dispute will be submitted to final and binding arbitration with the Judicial Arbitration and Mediation Services. Each party will bear its own costs in arbitration, provided that Seagate reserves the right, in its discretion, to pre-pay certain fees you may incur in connection with the arbitration subject to refund if you do not prevail. **Both parties waive their rights to a jury trial.** All proceedings will take place in Santa Clara County, California, USA. The laws of the State of California will exclusively govern these Program Terms and our provision of any data recovery services, without regard to California's conflicts of laws rules. You consent to the exclusive jurisdiction of the courts located in Santa Clara County, California, USA.

Severability.

If any provision of these Program Terms is held invalid, illegal or unenforceable, such provision shall be enforced to the fullest extent permitted by applicable law and the validity, legality and enforceability of the remaining provisions shall not be affected thereby.

Legal Effect.

These Program Terms describe certain legal rights. You may have other rights under applicable law. These Program Terms do not change your rights under applicable law if such laws do not permit these Program Terms to do so. Also, the Program and these Program Terms are in addition and unrelated to any rights you may have under a Seagate warranty statement.

SRS Companies.

The following SRS companies may provide the services described in these Program Terms:

- (a) Seagate Technology LLC, with offices at 3101 Jay Street, Suite 110, Santa Clara, California 95054;
- (b) Seagate Technology Canada Inc., with offices at 2421 Bristol Circle, Suite A100, Oakville, Ontario, Canada L6H 5S9;
and/or
- (c) Seagate Technology (Netherlands) B.V., with offices at Koolhovenlaan 1, 1119 PA, Schiphol-Rijk, The Netherlands.

2.11 Agency and Safety Certifications

Each Hard Drive and Solid State Drive ("drives") has a product label that includes certifications that are applicable to that specific drive. The following information provides an overview of requirements that may be applicable to the drive.

2.12 Safety certification

These products are certified to meet the requirements of UL/cUL 60950-1, EN 60950-1, and may also include, IEC 62368, UL 62368 and EN 62368.

2.12.1 European Union (EU) CE Marking Requirements

Drives that display the CE mark comply with the European Union (EU) requirements specified in the Electromagnetic Compatibility Directive (2014/30/EU) put into force on 20 April 2016. Testing is performed to the levels specified by the product standards for Information Technology Equipment (ITE). Emission levels are defined by EN 55032:2012, Class B and the immunity levels are defined by EN 55024:2010.

The drives also meet the requirements of The Low Voltage Directive (LVD) 2014/35/EU.

Seagate drives are tested in representative end-user systems. Although CE-marked Seagate drives comply with all relevant regulatory requirements and standards for the drives, Seagate cannot guarantee that all system-level products into which the drives are installed comply with all regulatory requirements and standards applicable to the system-level products. The drive is designed for operation inside a properly designed system (e.g., enclosure designed for the drive), with properly shielded I/O cable (if necessary) and terminators on all unused I/O ports. Computer manufacturers and system integrators should confirm EMC compliance and provide CE marking for the system-level products.

For compliance with the RoHS "Recast" Directive 2011/65/EU (RoHS 2), [See Section 2.13.1 on page 22](#).

2.12.2 Australian RCM Compliance Mark

If these models have the RCM marking, they comply with the Australia/New Zealand Standard AS/NZ CISPR32 and meet the Electromagnetic Compatibility (EMC) Framework requirements of the Australian Communication and Media Authority (ACMA).

2.12.3 Canada ICES-003

If this model has the ICES-003:2016 marking it complies with requirements of ICES tested per ANSI C63.4-2014.

2.12.4 South Korean KC Certification Mark

The South Korean KC Certification Mark means the drives comply with paragraph 1 of Article 11 of the Electromagnetic Compatibility control Regulation and meet the Electromagnetic Compatibility (EMC) Framework requirements of the Radio Research Agency (RRA) Communications Commission, Republic of Korea. These drives have been tested and comply with the Electromagnetic Interference/ Electromagnetic Susceptibility (EMI/EMS) for Class B products. Drives are tested in a representative, end-user system by a Korean-recognized lab.

| 기종별 | 사용자안내문 |
|------------------------|--|
| B급 기기 (가정용 방송통신기자재) | 이 기기는 가정용(B급) 전자파적합기기로서 주로 가정에서 사용하는 것을 목적으로 하며, 모든 지역에서 사용할 수 있습니다. |

2.12.5 Morocco Commodity Mark

To satisfy our OEM customers, Seagate has added the Moroccan Commodity Mark to the drives provided to the OEM for the sale of Customer Kits produced by our OEM customers that are intended to be incorporated into the OEM's finished system-level product by an end user. The Customer Kits are considered 'devices' under Morocco's Order of the Minister of Industry, Trade, Investment and Digital Economy No. 2574-14 of 29 Ramadan 1436 (16 July 2015) on electromagnetic compatibility of equipment.

Seagate drives are tested for compliance and complies with the European Union (EU) Electromagnetic Compatibility (EMC) Directive 2014/30/EU and the Low Voltage Directive (LVD) 2014/35/EU. Accordingly, the drives also meets the requirements of Morocco's Order of the Minister of Industry, Trade, Investment and Digital Economy No. 2574-14 of 29 Ramadan 1436 (16 July 2015) on electromagnetic compatibility of equipment.

2.12.6 Taiwanese BSMI

Drives with the Taiwanese certification mark comply with Chinese National Standard, CNS13438.

For compliance with the Taiwan Bureau of Standards, Metrology and Inspection's (BSMI) requirements, [See Section 2.13.3 on page 23](#).

2.12.7 FCC verification

These drives are intended to be contained solely within a personal computer or similar enclosure (not attached as an external device). As such, each drive is considered to be a subassembly even when it is individually marketed to the customer. As a subassembly, no Federal Communications Commission verification or certification of the device is required.

Seagate has tested this device in enclosures as described above to ensure that the total assembly (enclosure, disk drive, motherboard, power supply, etc.) does comply with the limits for a Class B computing device, pursuant to Subpart J, Part 15 of the FCC rules. Operation with noncertified assemblies is likely to result in interference to radio and television reception.

Radio and television interference. This equipment generates and uses radio frequency energy and if not installed and used in strict accordance with the manufacturer's instructions, may cause interference to radio and television reception.

This equipment is designed to provide reasonable protection against such interference in a residential installation. However, there is no guarantee that interference will not occur in a particular installation. If this equipment does cause interference to radio or television, which can be determined by turning the equipment on and off, users are encouraged to try one or more of the following corrective measures:

- Reorient the receiving antenna.
- Move the device to one side or the other of the radio or TV.
- Move the device farther away from the radio or TV.
- Plug the computer into a different outlet so that the receiver and computer are on different branch outlets.

If necessary, users should consult a dealer or an experienced radio/television technician for additional suggestions. Users may find helpful the following booklet prepared by the Federal Communications Commission: *How to Identify and Resolve Radio-Television Interference Problems*. This booklet is available from the Superintendent of Documents, U.S. Government Printing Office, Washington, DC 20402. Refer to publication number 004-000-00345-4.

2.13 Environmental protection

Seagate designs its products to meet environmental protection requirements worldwide, including regulations restricting certain chemical substances.

2.13.1 European Union Restriction of Hazardous Substance Law

2.13.1.1 Restriction of Hazardous Substances in Electrical and Electronic Equipment

Seagate drives are designed to be compliant with the European Union RoHS "Recast" Directive 2011/65/EU (RoHS 2) as amended by Directive (EU) 2015/863. The RoHS2 restricts the use of certain hazardous substances such as Lead, Cadmium, Mercury, Hexavalent Chromium, Polybrominated Biphenyls (PBB) and Polybrominated Diphenyl Ether (PBDE), BisBis(2-Ethylhexyl) phthalate (DEHP), Benzyl butyl phthalate (BBP), Dibutyl phthalate (DBP), and Diisobutyl phthalate (DIBP) in electrical and electronic equipment (EEE).

2.13.1.2 Substances of Very High Concern (SVHC)

The European Union REACH (Registration, Evaluation, Authorization and Restriction of Chemicals) Regulation (EC) 1907/2006 regulates chemicals shipped into and used in Europe. A number of parts and materials in Seagate products are procured from external suppliers. We rely on the representations of our suppliers regarding the presence of REACH substances in these articles and materials. Our supplier contracts require compliance with our chemical substance restrictions, and our suppliers document their compliance with our requirements by providing full-disclosure material content declarations that disclose inclusion of any REACH-regulated substance in such articles or materials. Product-specific REACH declarations are available upon request through your Seagate Sales Representative.

2.13.2 China Requirements — China RoHS 2



China RoHS 2 refers to the Ministry of Industry and Information Technology Order No. 32, effective July 1, 2016, titled Management Methods for the Restriction of the Use of Hazardous Substances in Electrical and Electronic Products. To comply with China RoHS 2, Seagate determines this product's Environmental Protection Use Period (EPUP) to be 20 years in accordance with the *Marking for the Restricted Use of Hazardous Substances in Electronic and Electrical Products*, SJT 11364-2014.

Table 7 China - Hazardous Substances

| 部件名称 Part Name | 有害物质 Hazardous Substances | | | | | |
|-------------------|------------------------------|-----------|-----------|----------------------------|---------------|-----------------|
| | 铅 (Pb) | 汞 (Hg) | 镉 (Cd) | 六价铬 (Cr ⁺⁶) | 多溴联苯 (PBB) | 多溴二苯醚 (PBDE) |
| 硬盘驱动器 HDD | X | O | O | O | O | O |
| 印刷电路板组装 PCBA | X | O | O | O | O | O |

本表格依据 SJ/T 11364 的规定编制。

This table is prepared in accordance with the provisions of SJ/T 11364-2014

O: 表示该有害物质在该部件所有均质材料中的含量均在 GB/T 26572 规定的限量要求以下。

O: Indicates that the hazardous substance contained in all of the homogeneous materials for this part is below the limit requirement of GB/T26572.

X: 表示该有害物质至少在该部件的某一均质材料中的含量超出 GB/T 26572 规定的限量要求。

X: Indicates that the hazardous substance contained in at least one of the homogeneous materials used for this part is above the limit requirement of GB/T26572.

2.13.3 Taiwan Requirements — Taiwan RoHS

Taiwan RoHS refers to the Taiwan Bureau of Standards, Metrology and Inspection's (BSMI) requirements in standard CNS 15663, Guidance to reduction of the restricted chemical substances in electrical and electronic equipment. Seagate products must comply with the "Marking of presence" requirements in Section 5 of CNS 15663, effective January 1, 2018. This product is Taiwan RoHS compliant.

The following table meets the Section 5 "Marking of presence" requirements.

Table 8 Taiwan - Restricted Substances

| 設備名稱：硬盤設備，型號：僅適用於內部使用 Equipment Name: Hard Disk Device, Type Designation: Internal Use Only | | | | | | |
|---|--|-----------|-----------|----------------------------|---------------|-----------------|
| 單元 Unit | 限用物質及其化學符號 Restricted Substance and its chemical symbol | | | | | |
| | 鉛 (Pb) | 汞 (Hg) | 鎘 (Cd) | 六價鉻 (Cr ⁺⁶) | 多溴聯苯 (PBB) | 多溴二苯醚 (PBDE) |
| 硬盤驅動器 HDD | — | 0 | 0 | 0 | 0 | 0 |
| 印刷電路板組裝 PCBA | — | 0 | 0 | 0 | 0 | 0 |
| 備考 1. "0" 係指該項限用物質之百分比含量未超出百分比含量基準值。 Note 1. "0" indicates that the percentage content of the restricted substance does not exceed the percentage of reference value of presence. 備考 2. "—" 係指該項限用物質為排除項目。 Note 2. "—" indicates that the restricted substance corresponds to the exemption. | | | | | | |

2.14 Corrosive environment

Seagate electronic drive components pass accelerated corrosion testing equivalent to 10 years exposure to light industrial environments containing sulfurous gases, chlorine and nitric oxide, classes G and H per ASTM B845. However, this accelerated testing cannot duplicate every potential application environment.

Users should use caution exposing any electronic components to uncontrolled chemical pollutants and corrosive chemicals as electronic drive component reliability can be affected by the installation environment. The silver, copper, nickel and gold films used in hard disk drives are especially sensitive to the presence of sulfide, chloride, and nitrate contaminants. Sulfur is found to be the most damaging. Materials used in cabinet fabrication, such as vulcanized rubber, that can outgas corrosive compounds should be minimized or eliminated. The useful life of any electronic equipment may be extended by replacing materials near circuitry with sulfide-free alternatives.

Seagate recommends that data centers be kept clean by monitoring and controlling the dust and gaseous contamination. Gaseous contamination should be within ANSI/ISA S71.04-2013 G2 classification levels (as measured on copper and silver coupons), and dust contamination to ISO 14644-1 Class 8 standards, and MTBF rated conditions as defined in the Annualized Failure Rate (AFR) and Mean Time Between Failure (MTBF) section.

2.15 Product warranty

Beginning on the date of shipment to the customer and continuing for the period specified in the purchase contract, Seagate warrants that each product (including components and subassemblies) that fails to function properly under normal use due to defect in materials or workmanship or due to nonconformance to the applicable specifications will be repaired or replaced, at Seagate's option and at no charge to the customer, if returned by customer at customer's expense to Seagate's designated facility in accordance with Seagate's warranty procedure. Seagate will pay for transporting the repair or replacement item to the customer. For more detailed warranty information, refer to the standard terms and conditions of purchase for Seagate products on the purchase documentation.

The remaining warranty for a particular drive can be determined by calling Seagate Customer Service at 1-800-468-3472. Users can also determine remaining warranty using the Seagate web site (www.seagate.com). The drive serial number is required to determine remaining warranty information.

Shipping

When transporting or shipping a drive, use only a Seagate-approved container. Keep the original box. Seagate approved containers are easily identified by the Seagate Approved Package label. Shipping a drive in a non-approved container voids the drive warranty.

Seagate repair centers may refuse receipt of components improperly packaged or obviously damaged in transit. Contact the authorized Seagate distributor to purchase additional boxes. Seagate recommends shipping by an air-ride carrier experienced in handling computer equipment.

Storage

Maximum storage periods are 180 days within original unopened Seagate shipping package or 60 days unpackaged within the defined non-operating limits (refer to environmental section in this manual). Storage can be extended to 1 year packaged or unpackaged under optimal environmental conditions (25°C, <40% relative humidity non-condensing, and non-corrosive environment). During any storage period the drive non-operational temperature, humidity, wet bulb, atmospheric conditions, shock, vibration, magnetic and electrical field specifications should be followed.

Product repair and return information

Seagate customer service centers are the only facilities authorized to service Seagate drives. Seagate does not sanction any third-party repair facilities. Any unauthorized repair or tampering with the factory seal voids the warranty.

3.0 Configuring and mounting the drive

This section contains the specifications and instructions for configuring and mounting the drive.

3.1 Handling and static-discharge precautions

After unpacking, and before installation, the drive may be exposed to potential handling and electrostatic discharge (ESD) hazards. Observe the following standard handling and static-discharge precautions:

| | |
|----------------|--|
| Caution | <ul style="list-style-type: none">• Before handling the drive, put on a grounded wrist strap, or ground oneself frequently by touching the metal chassis of a computer that is plugged into a grounded outlet. Wear a grounded wrist strap throughout the entire installation procedure.• Handle the drive by its edges or frame <i>only</i>.• The drive is extremely fragile—handle it with care. Do not press down on the drive top cover.• Always rest the drive on a padded, antistatic surface until mounting it in the computer.• Do not touch the connector pins or the printed circuit board.• Do not remove the factory-installed labels from the drive or cover them with additional labels. Removal voids the warranty. Some factory-installed labels contain information needed to service the drive. Other labels are used to seal out dirt and contamination. |
|----------------|--|

3.2 Configuring the drive

Each drive on the Serial ATA interface connects point-to-point with the Serial ATA host adapter. There is no master/slave relationship because each drive is considered a master in a point-to-point relationship. If two drives are attached on one Serial ATA host adapter, the host operating system views the two devices as if they were both “masters” on two separate ports. Both drives behave as if they are Device 0 (master) devices.

3.3 Serial ATA cables and connectors

The Serial ATA interface cable consists of four conductors in two differential pairs, plus three ground connections. The cable size may be 30 to 26 AWG with a maximum length of one meter (39.37 in). See Table 9 for connector pin definitions. Either end of the SATA signal cable can be attached to the drive or host.

For direct backplane connection, the drive connectors are inserted directly into the host receptacle. The drive and the host receptacle incorporate features that enable the direct connection to be hot pluggable and blind mateable.

For installations which require cables, users can connect the drive as illustrated in Figure 3.

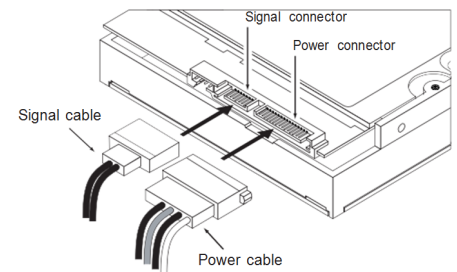


Figure 3. Attaching SATA cabling

Each cable is keyed to ensure correct orientation. IronWolf Pro Serial ATA drives support latching SATA connectors.

3.4 Drive mounting

Users can mount the drive in any orientation using four screws in the side-mounting holes or four screws in the bottom-mounting holes. See Figures 4 & 5 for drive mounting dimensions. Follow these important mounting precautions when mounting the drive:

- Allow a minimum clearance of 0.030 in (0.76mm) around the entire perimeter of the drive for cooling.
- Use only 6-32 UNC mounting screws.
- The screws should be inserted no more than 0.140 in (3.56mm) into the bottom or side mounting holes.
- Do not overtighten the mounting screws (maximum torque: 6 in-lb).

3.4.1 Mechanical specifications

Refer to Figures 4 & 5 for detailed mounting configuration dimensions. See Section 3.4, "Drive mounting."

| | | | |
|---------|------------|---------|-------|
| Weight: | 6TB models | 1.55 lb | 705 g |
| | 4TB models | 1.50 lb | 680 g |
| | 2TB models | 1.21 lb | 550 g |

Note These dimensions conform to the Small Form Factor Standard documented in SFF-8301 and SFF-8323, found at www.sffcommittee.org

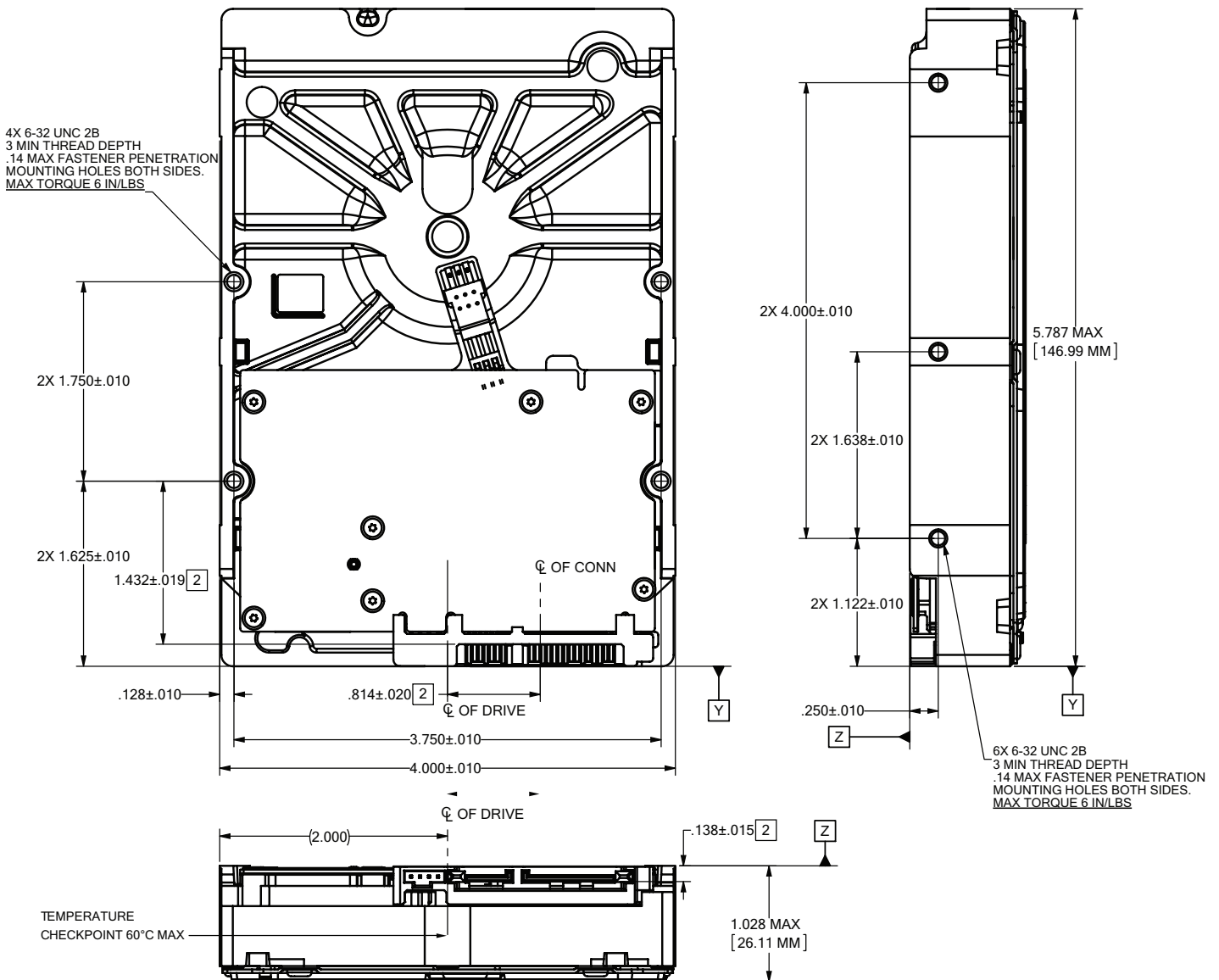


Figure 4. Mounting configuration dimensions (6TB & 4TB)

Note The image is for mechanical dimension reference only and may not represent the actual drive.

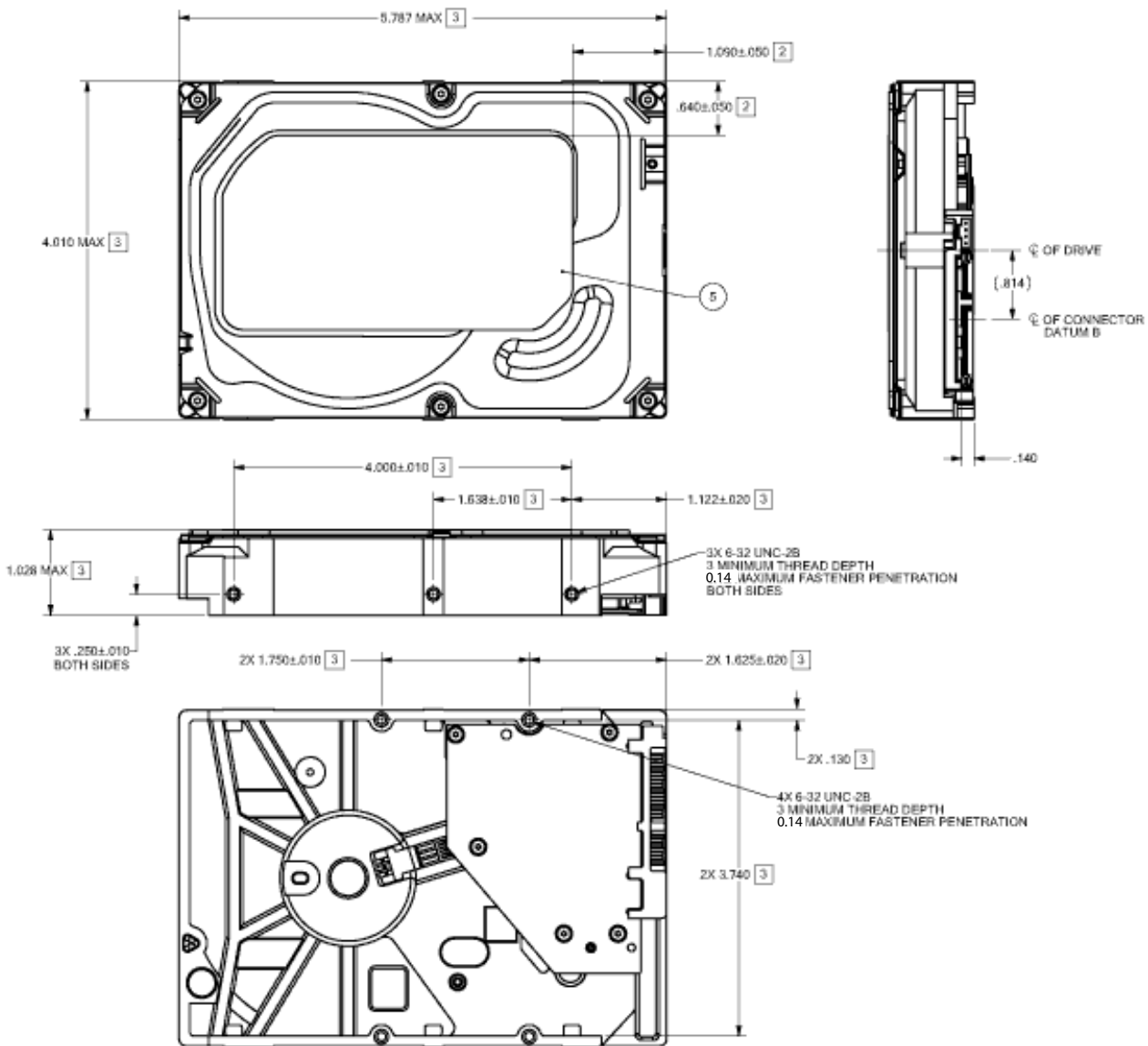


Figure 5. Mounting configuration dimensions (2TB)

Note The image is for mechanical dimension reference only and may not represent the actual drive.

4.0 Serial ATA (SATA) interface

These drives use the industry-standard Serial ATA interface that supports FIS data transfers. It supports ATA programmed input/output (PIO) modes 0–4; multiword DMA modes 0–2, and Ultra DMA modes 0–6.

For detailed information about the Serial ATA interface, refer to the “Serial ATA: High Speed Serialized AT Attachment” specification.

4.1 Hot-Plug compatibility

IronWolf Pro Serial ATA drives incorporate connectors which enable users to hot plug these drives in accordance with the Serial ATA Revision 3.2 specification. This specification can be downloaded from www.serialata.org.

| | |
|----------------|---|
| Caution | The drive motor must come to a complete stop (Ready to spindle stop time indicated in Section 2.3) prior to changing the plane of operation. This time is required to insure data integrity. |
|----------------|---|

4.2 Serial ATA device plug connector pin definitions

Table 9 summarizes the signals on the Serial ATA interface and power connectors.

Table 9 Serial ATA connector pin definitions

| Segment | Pin | Function | Definition |
|---|-----|----------------------|---|
| Signal | S1 | Ground | 2nd mate |
| | S2 | A+ | Differential signal pair A from Phy |
| | S3 | A- | |
| | S4 | Ground | 2nd mate |
| | S5 | B- | Differential signal pair B from Phy |
| | S6 | B+ | |
| | S7 | Ground | 2nd mate |
| Key and spacing separate signal and power segments | | | |
| Power | P1 | V ₃₃ | 3.3V power |
| | P2 | V ₃₃ | 3.3V power |
| | P3 | V ₃₃ | 3.3V power, pre-charge, 2nd mate |
| | P4 | Ground | 1st mate |
| | P5 | Ground | 2nd mate |
| | P6 | Ground | 2nd mate |
| | P7 | V ₅ | 5V power, pre-charge, 2nd mate |
| | P8 | V ₅ | 5V power |
| | P9 | V ₅ | 5V power |
| | P10 | Ground | 2nd mate |
| | P11 | Ground or LED signal | If grounded, drive does not use deferred spin |
| | P12 | Ground | 1st mate. |
| | P13 | V ₁₂ | 12V power, pre-charge, 2nd mate |
| | P14 | V ₁₂ | 12V power |
| | P15 | V ₁₂ | 12V power |

Notes:

- All pins are in a single row, with a 1.27mm (0.050") pitch.
- The comments on the mating sequence apply to the case of backplane blindmate connector only. In this case, the mating sequences are:
 - the ground pins P4 and P12.
 - the pre-charge power pins and the other ground pins.
 - the signal pins and the rest of the power pins.
- There are three power pins for each voltage. One pin from each voltage is used for pre-charge when installed in a blind-mate backplane configuration.
- All used voltage pins (V_x) must be terminated.

4.3 Supported ATA commands

The following table lists Serial ATA standard commands that the drive supports. For a detailed description of the ATA commands, refer to the Serial ATA: High Speed Serialized AT Attachment specification. See “S.M.A.R.T. commands” on page 35 for details and subcommands used in the S.M.A.R.T. implementation.

Table 10 Supported ATA commands

| Command name | Command code (in hex) |
|--------------------------------------|-------------------------------------|
| Accessible Max Address Configuration | |
| Get Native Max Address Ext | 78 _H / 0000 _H |
| Set Accessible Max Address Ext | 78 _H / 0001 _H |
| Freeze Accessible Max Address Ext | 78 _H / 0002 _H |
| Check Power Mode | E5 _H |
| Download Microcode | 92 _H |
| Execute Device Diagnostics | 90 _H |
| Flush Cache | E7 _H |
| Flush Cache Extended | EA _H |
| Identify Device | EC _H |
| Idle | E3 _H |
| Idle Immediate | E1 _H |
| NoP | 00 _H |
| Read Buffer | E4 _H |
| Read Buffer DMA | E9 _H |
| Read DMA | C8 _H |
| Read DMA Extended | 25 _H |
| Read FPDMA Queued | 60 _H |
| Read Log DMA Ext | 47 _H |
| Read Log Ext | 2F _H |
| Read Multiple | C4 _H |
| Read Multiple Extended | 29 _H |
| Read Sectors | 20 _H |
| Read Sectors Extended | 24 _H |
| Read Sectors Without Retries | 21 _H |
| Read Verify Sectors | 40 _H |
| Read Verify Sectors Extended | 42 _H |
| Read Verify Sectors Without Retries | 41 _H |
| Request Sense Data Ext | 0B _H |
| Sanitize Device - Overwrite Ext | B4 _H / 0014 _H |
| Sanitize Device - Freeze Lock Ext | B4 _H / 0020 _H |
| Sanitize Device - Status Ext | B4 _H / 0000 _H |
| Security Disable Password | F6 _H |
| Security Erase Prepare | F3 _H |
| Security Erase Unit | F4 _H |
| Security Freeze | F5 _H |
| Security Set Password | F1 _H |
| Security Unlock | F2 _H |

| Command name | Command code (in hex) |
|--------------------------------------|-----------------------------------|
| Seek | 70 _H |
| Set Date & Time Ext | 77 _H |
| Set Features | EF _H |
| Set Multiple Mode | C6 _H |
| Sleep | E6 _H |
| S.M.A.R.T. Disable Operations | B0 _H / D9 _H |
| S.M.A.R.T. Enable/Disable Autosave | B0 _H / D2 _H |
| S.M.A.R.T. Enable Operations | B0 _H / D8 _H |
| S.M.A.R.T. Execute Offline | B0 _H / D4 _H |
| S.M.A.R.T. Read Attribute Thresholds | B0 _H / D1 _H |
| S.M.A.R.T. Read Data | B0 _H / D0 _H |
| S.M.A.R.T. Read Log Sector | B0 _H / D5 _H |
| S.M.A.R.T. Return Status | B0 _H / DA _H |
| S.M.A.R.T. Save Attribute Values | B0 _H / D3 _H |
| S.M.A.R.T. Write Log Sector | B0 _H / D6 _H |
| Standby | E2 _H |
| Standby Immediate | E0 _H |
| Trusted Send | 5E _H (SED drives only) |
| Trusted Send DMA | 5F _H (SED drives only) |
| Trusted Receive | 5C _H (SED drives only) |
| Trusted Receive DMA | 5D _H (SED drives only) |
| Write Buffer | E8 _H |
| Write Buffer DMA | EB _H |
| Write DMA | CA _H |
| Write DMA Extended | 35 _H |
| Write DMA FUA Extended | 3D _H |
| Write FPDMA Queued | 61 _H |
| Write Log DMA Ext | 57 _H |
| Write Log Extended | 3F _H |
| Write Multiple | C5 _H |
| Write Multiple Extended | 39 _H |
| Write Multiple FUA Extended | CE _H |
| Write Sectors | 30 _H |
| Write Sectors Without Retries | 31 _H |
| Write Sectors Extended | 34 _H |
| Write Uncorrectable | 45 _H |

4.3.1 Identify Device command

The Identify Device command (command code EC_H) transfers information about the drive to the host following power up. The data is organized as a single 512-byte block of data, whose contents are shown in Table 10 on page 29. All reserved bits or words should be set to zero. Parameters listed with an “x” are drive-specific or vary with the state of the drive. See Section 2.0 on page 6 for default parameter settings.

The following commands contain drive-specific features that may not be included in the Serial ATA specification.

| Word | Description | Value |
|-------|--|-------------------|
| 0 | Configuration information: • Bit 15: 0 = ATA; 1 = ATAPI • Bit 7: removable media • Bit 6: removable controller • Bit 0: reserved | 0C5A _H |
| 1 | Number of logical cylinders | 16,383 |
| 2 | ATA-reserved | 0000 _H |
| 3 | Number of logical heads | 16 |
| 4 | Retired | 0000 _H |
| 5 | Retired | 0000 _H |
| 6 | Number of logical sectors per logical track: 63 | 003F _H |
| 7–9 | Retired | 0000 _H |
| 10–19 | Serial number: (20 ASCII characters, 0000 _H = none) | ASCII |
| 20 | Retired | 0000 _H |
| 21 | Retired | 0400 _H |
| 22 | Obsolete | 0000 _H |
| 23–26 | Firmware revision (8 ASCII character string, padded with blanks to end of string) | x.xx |
| 27–46 | Drive model number: (40 ASCII characters, padded with blanks to end of string) | |
| 47 | (Bits 7–0) Maximum sectors per interrupt on Read multiple and Write multiple (16) | 8010 _H |
| 48 | Trusted computing feature set options | 4000 _H |
| 49 | Standard Standby timer, IORDY supported and may be disabled | 2F00 _H |
| 50 | ATA-reserved | 4000 _H |
| 51 | PIO data-transfer cycle timing mode | 0200 _H |
| 52 | Retired | 0200 _H |
| 53 | Words 54–58, 64–70 and 88 are valid | 0007 _H |
| 54 | Number of current logical cylinders | xxxx _H |
| 55 | Number of current logical heads | xxxx _H |
| 56 | Number of current logical sectors per logical track | xxxx _H |
| 57–58 | Current capacity in sectors | xxxx _H |
| 59 | Number of sectors transferred during a Read Multiple or Write Multiple command | xxxx _H |
| 60–61 | Total number of user-addressable LBA sectors available (see Section 2.2 for related information) *Note: The maximum value allowed in this field is: 0FFFFFFFh (268,435,455 sectors, 137GB). Drives with capacities over 137GB will have 0FFFFFFFh in this field and the actual number of user-addressable LBAs specified in words 100-103. This is required for drives that support the 48-bit addressing feature. | 0FFFFFFFh* |
| 62 | Retired | 0000 _H |
| 63 | Multiword DMA active and modes supported (see note following this table) | xx07 _H |

| Word | Description | Value |
|---------|--|---|
| 64 | Advanced PIO modes supported (modes 3 and 4 supported) | 0003 _H |
| 65 | Minimum multiword DMA transfer cycle time per word (120 ns) | 0078 _H |
| 66 | Recommended multiword DMA transfer cycle time per word (120 ns) | 0078 _H |
| 67 | Minimum PIO cycle time without IORDY flow control (240 ns) | 0078 _H |
| 68 | Minimum PIO cycle time with IORDY flow control (120 ns) | 0078 _H |
| 69 | Additional supported | 00008 _H |
| 70–74 | ATA-reserved | 0000 _H |
| 75 | Queue depth | 001F _H |
| 76 | Serial ATA capabilities | 8D0E _H |
| 77 | Reserved for future Serial ATA definition | xxxx _H |
| 78 | Serial ATA features supported | xxxx _H |
| 79 | Serial ATA features enabled | xxxx _H |
| 80 | Major version number | 07F0 _H |
| 81 | Minor version number | 006D _H |
| 82 | Command sets supported | 306B _H |
| 83 | Command sets supported | 7561 _H |
| 84 | Command sets support extension (see note following this table) | 6163 _H |
| 85 | Command sets enabled | 3069 _H |
| 86 | Command sets enabled | B441 _H |
| 87 | Command sets enable extension | 6163 _H |
| 88 | Ultra DMA support and current mode (see note following this table) | 407F _H |
| 89 | Security erase time | xxxx _H |
| 90 | Enhanced security erase time | xxxx _H |
| 92 | Master password revision code | FFFE _H |
| 93 | Hardware reset value | xxxx _H |
| 95–96 | ATA-reserved | 0000 _H |
| 97 | Streaming Access Latency - DMA & PIO | 0000 _H |
| 98–99 | Streaming Performance Granularity | 2710 _H / 0000 _H |
| 100–103 | Total number of user-addressable LBA sectors available (see Section 2.2 for related information). These words are required for drives that support the 48-bit addressing feature. Maximum value: 0000FFFFFFFFFh. | 6TB 5xx models = 11,721,045,168 4TB 5xx models = 7,814,037,168 2TB 5xx models = 3,907,029,168 |
| 104–105 | ATA-reserved | 0000 _H |
| 106 | Physical/Logical sector size | 4000 _H |
| 107 | ATA-reserved | 0000 _H |
| 108–111 | The mandatory value of the world wide name (WWN) for the drive. NOTE: This field is valid if word 84, bit 8 is set to 1 indicating 64-bit WWN support. | Each drive will have a unique value. |
| 112–118 | ATA-reserved | 0000 _H |
| 119 | Commands and feature sets supported | 410E _H |
| 120 | Commands and feature sets supported or enabled | 409C _H |
| 121–127 | ATA-reserved | 0000 _H |
| 128 | Security status | 0021 _H |
| 129–159 | Seagate-reserved | xxxx _H |

| Word | Description | Value |
|---------|--|-------------------|
| 160–205 | ATA-reserved | 0000 _H |
| 206 | SCT Command Transport command set. If bit 0 is set to one, then the device supports SCT Command Transport. Bits 7:2 indicate individual SCT feature support. | xxBD _H |
| 207-254 | ATA-reserved | 0000 _H |
| 255 | Integrity word | xxA5 _H |

Note See the bit descriptions below for words 63, 84, and 88 of the Identify Drive data.

| Description (if bit is set to 1) | |
|----------------------------------|--|
| Bit | Word 63 |
| 0 | Multiword DMA mode 0 is supported. |
| 1 | Multiword DMA mode 1 is supported. |
| 2 | Multiword DMA mode 2 is supported. |
| 8 | Multiword DMA mode 0 is currently active. |
| 9 | Multiword DMA mode 1 is currently active. |
| 10 | Multiword DMA mode 2 is currently active. |
| Bit | Word 84 |
| 0 | SMART error logging is supported. |
| 1 | SMART self-test is supported. |
| 2 | Media serial number is supported. |
| 3 | Media Card Pass Through Command feature set is supported. |
| 4 | Streaming feature set is supported. |
| 5 | GPL feature set is supported. |
| 6 | WRITE DMA FUA EXT and WRITE MULTIPLE FUA EXT commands are supported. |
| 7 | WRITE DMA QUEUED FUA EXT command is supported. |
| 8 | 64-bit World Wide Name is supported. |
| 9-10 | Obsolete. |
| 11-12 | Reserved for TLC. |
| 13 | IDLE IMMEDIATE command with IUNLOAD feature is supported. |
| 14 | Shall be set to 1. |
| 15 | Shall be cleared to 0. |
| Bit | Word 88 |
| 0 | Ultra DMA mode 0 is supported. |
| 1 | Ultra DMA mode 1 is supported. |
| 2 | Ultra DMA mode 2 is supported. |
| 3 | Ultra DMA mode 3 is supported. |
| 4 | Ultra DMA mode 4 is supported. |
| 5 | Ultra DMA mode 5 is supported. |
| 6 | Ultra DMA mode 6 is supported. |
| 8 | Ultra DMA mode 0 is currently active. |
| 9 | Ultra DMA mode 1 is currently active. |
| 10 | Ultra DMA mode 2 is currently active. |
| 11 | Ultra DMA mode 3 is currently active. |
| 12 | Ultra DMA mode 4 is currently active. |
| 13 | Ultra DMA mode 5 is currently active. |
| 14 | Ultra DMA mode 6 is currently active. |

4.3.2 Set Features command

This command controls the implementation of various features that the drive supports. When the drive receives this command, it sets BSY, checks the contents of the Features register, clears BSY and generates an interrupt. If the value in the register does not represent a feature that the drive supports, the command is aborted. Power-on default has the read look-ahead and write caching features enabled. The acceptable values for the Features register are defined as follows

Table 11 Set Features command values

| | |
|-----------------|---|
| 02 _H | Enable write cache (<i>default</i>). |
| 03 _H | Set transfer mode (based on value in Sector Count register). Sector Count register values: |
| 00 _H | Set PIO mode to default (PIO mode 2). |
| 01 _H | Set PIO mode to default and disable IORDY (PIO mode 2). |
| 08 _H | PIO mode 0 |
| 09 _H | PIO mode 1 |
| 0A _H | PIO mode 2 |
| 0B _H | PIO mode 3 |
| 0C _H | PIO mode 4 (<i>default</i>) |
| 20 _H | Multiword DMA mode 0 |
| 21 _H | Multiword DMA mode 1 |
| 22 _H | Multiword DMA mode 2 |
| 40 _H | Ultra DMA mode 0 |
| 41 _H | Ultra DMA mode 1 |
| 42 _H | Ultra DMA mode 2 |
| 43 _H | Ultra DMA mode 3 |
| 44 _H | Ultra DMA mode 4 |
| 45 _H | Ultra DMA mode 5 |
| 46 _H | Ultra DMA mode 6 |
| 10 _H | Enable use of SATA features |
| 55 _H | Disable read look-ahead (read cache) feature. |
| 82 _H | Disable write cache |
| 90 _H | Disable use of SATA features |
| AA _H | Enable read look-ahead (read cache) feature (<i>default</i>). |
| F1 _H | Report full capacity available |

Note At power-on, or after a hardware or software reset, the default values of the features are as indicated above.

4.3.3 S.M.A.R.T. commands

S.M.A.R.T. provides near-term failure prediction for disk drives. When S.M.A.R.T. is enabled, the drive monitors predetermined drive attributes that are susceptible to degradation over time. If self-monitoring determines that a failure is likely, S.M.A.R.T. makes a status report available to the host. Not all failures are predictable. S.M.A.R.T. predictability is limited to the attributes the drive can monitor. For more information on S.M.A.R.T. commands and implementation, see the *Draft ATA-5 Standard*.

SeaTools diagnostic software activates a built-in drive self-test (DST S.M.A.R.T. command for D4_H) that eliminates unnecessary drive returns. The diagnostic software ships with all new drives and is also available at:

<http://www.seagate.com/support/downloads/seatools/>.

This drive is shipped with S.M.A.R.T. features disabled. Users must have a recent BIOS or software package that supports S.M.A.R.T. to enable this feature. The table below shows the S.M.A.R.T. command codes that the drive uses.

Table 12 S.M.A.R.T. commands

| Code in features register | S.M.A.R.T. command |
|---------------------------|--|
| D0 _H | S.M.A.R.T. Read Data |
| D2 _H | S.M.A.R.T. Enable/Disable Attribute Autosave |
| D3 _H | S.M.A.R.T. Save Attribute Values |
| D4 _H | S.M.A.R.T. Execute Off-line Immediate (runs DST) |
| D5 _H | S.M.A.R.T. Read Log Sector |
| D6 _H | S.M.A.R.T. Write Log Sector |
| D8 _H | S.M.A.R.T. Enable Operations |
| D9 _H | S.M.A.R.T. Disable Operations |
| DA _H | S.M.A.R.T. Return Status |

| | |
|-------------|---|
| Note | If an appropriate code is not written to the Features Register, the command is aborted and 0x04 (abort) is written to the Error register. |
|-------------|---|



Seagate Technology LLC

AMERICAS Seagate Technology LLC 10200 South De Anza Boulevard, Cupertino, California 95014, United States, 408-658-1000

ASIA/PACIFIC Seagate Singapore International Headquarters Pte. Ltd. 7000 Ang Mo Kio Avenue 5, Singapore 569877, 65-6485-3888

EUROPE, MIDDLE EAST AND AFRICA Seagate Technology SAS 16-18 rue du Dôme, 92100 Boulogne-Billancourt, France, 33 1-4186 10 00

Publication Number: 100803998, Rev. G

February 2018