

Instruction manual  
Инструкция по эксплуатации

Handle garment steamer BR4120  
Ручной отпариватель BR4120




## СОДЕРЖАНИЕ

EN.....	3
DE.....	10
RU.....	18
KZ.....	26

## HANDLE GARMENT STEAMER BR4120

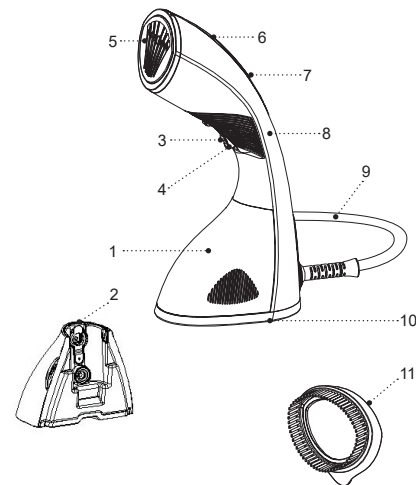
The garment steamer is intended for careful smoothing of folds on clothes or furniture.

### DESCRIPTION

1. Removable water tank
2. Water inlet lid
3. Steam supply button lock
4. Steam supply on button
5. Operating surface with steam release openings
6. On/off indicator
7. ON/OFF-button «»
8. Handle
9. Power cord
10. Base
11. Brush attachment

### ATTENTION!

For additional protection it is reasonable to install a residual current device (RCD) with nominal operation current not exceeding 30 mA, to install RCD, contact a specialist.



## SAFETY MEASURES AND OPERATION RECOMMENDATIONS

Read the operation instructions carefully before using the garment steamer, after reading keep them for future reference.

- Use the unit for its intended purpose only, as it is stated in this manual.
- Mishandling the unit can lead to its breakage and cause harm to the user or damage to the user's property, which is not covered by warranty.
- Make sure that the operating voltage of the unit indicated on the label corresponds to your home mains voltage.
- The power cord is equipped with a «euro-plug»; insert it into a socket that has a reliable grounding connection.
- To avoid fire, do not use adapters for connecting the unit to the mains.
- Do not touch the unit body, the power cord and the power plug with wet hands.
- Do not switch the garment steamer on if the water tank is empty. Switch the unit off and unplug it when the water tank becomes empty.
- Never leave the unit connected to the mains unattended.
- Do not use the unit outdoors or in bathrooms.
- It is not recommended to use the unit during lightning storms.

- Protect the unit from impacts, falling, vibrations and other mechanical stress.
- Do not use the unit near heating appliances, heat sources or open flame.
- Do not use the unit in proximity to the kitchen sink, in bathrooms, near swimming pools or other containers filled with water.
- If the unit is dropped into water, unplug it immediately, and only then you can take the unit out of water. Apply to the authorized service center for testing or repairing the unit.
- Do not use the unit in places where aerosols are used or sprayed, and in proximity to highly inflammable liquids, do not use the unit in the places where such liquids are stored.
- Place the garment steamer vertically on a flat dry moisture- and heat-resistant surface, do not place it horizontally and do not turn it over.
- Use only the attachment supplied with the unit.
- Before using the unit, make sure that the attachment is set and fixed properly.
- During the operation hold the garment steamer vertically, do not turn it over.
- Fill the tank with water additionally cleaned with a domestic filter. Do not use carbonated water or any perfume additives.
- Ensure that water level is not above the maximal mark «MAX». If the water level exceeds the maximal mark, water may splash out of the garment steamer.

- Do not block and do not insert any foreign objects into the steam release openings.
- During the operation the upper part of the garment steamer body becomes hot. To avoid getting burns, hold the garment steamer by the handle on the same level with the steam supply on button.
- Avoid getting burns by hot steam.
- Never steam clothes on a person, always use a hanger.
- Never direct operating steamer onto people, animals and plants as well as onto furniture, electric appliances, books and any other objects that can be damaged by hot steam. The garment steamer should be at least 20 cm away from any interior objects.
- Do not use the power cord as a handle for carrying the garment steamer, carry it by the handle.
- Unplug the unit after usage or before cleaning.
- Switch the garment steamer off and unplug the power cord plug from the mains socket.
- When unplugging the unit, hold the power plug and carefully remove it from the mains socket, do not pull the power cord, as this can lead to its damage and cause a short circuit.
- For children safety reasons do not leave polyethylene bags used as a packaging unattended.

**Attention!** Do not allow children to play with polyethylene bags or packaging film. **Danger of suffocation!**

- The unit is not intended for usage by children.
- Do not leave children unattended to prevent using the unit as a toy.
- Do not allow children to touch the operating surface, the unit body, the power cord or the power plug during operation of the unit.
- Be especially careful if children or disabled persons are near the operating unit.
- During the unit operation and breaks between operation cycles, place the unit out of reach of children.
- The unit is not intended for usage by physically or mentally disabled persons (including children) or by persons lacking experience or knowledge if they are not under supervision of a person who is responsible for their safety or if they are not instructed by this person on the usage of the unit.
- From time to time check the power cord integrity.
- If the power cord is damaged, it should be replaced by the manufacturer, a maintenance service or similar qualified personnel to avoid danger.
- Do not repair the unit by yourself. Do not disassemble the unit by yourself, if any malfunction is detected, and after the unit was dropped, unplug it and apply to the service center.
- To avoid damages, transport the unit in the original package.
- Keep the unit in a dry cool place out of reach of children and disabled persons.

**THE UNIT IS INTENDED FOR HOUSEHOLD USE ONLY, DO NOT USE THE UNIT FOR COMMERCIAL OR LABORATORY PURPOSES.**

### BEFORE THE FIRST USE

**After the unit's transportation or storage at negative temperature, unpack it and wait for at least 3 hours before using it.**

- Unpack the unit and remove all the packaging materials.
- If there is a protective film on the operating surface (5), remove it.
- Keep the original package.
- Read the safety measures and operating recommendations.
- Check the delivery set.
- Examine the unit for damages, in case of damage do not plug it into the mains.
- Make sure that specified specifications of power supply voltage of the unit correspond to the specifications of your mains. When using the unit in the mains with 60 Hz frequency, the unit does not need any additional settings.
- Wipe the garment steamer body with a slightly damp cloth and then wipe it dry.

### GARMENT STEAMER PURPOSE

- The garment steamer can be used for careful smoothing of folds on clothes or furniture.

- If you have doubts about steaming any certain kind of fabric or clothes, you should follow the recommendations on the product label.

- If no such information is available, try to steam the fabric on the reverse side.

- When steaming such fabrics as silk or corduroy, keep the garment steamer at some distance from the fabric.

- Use the brush attachment (11) to remove lint or threads from the fabric.

### STEAMER OPERATION

#### WATER SELECTION

- Fill the water tank (1) with tap water. If tap water is hard, we recommend mixing it with distilled water in proportion 1:1. If tap water is too hard, mix it with distilled water in proportion 1:2 or use distilled water only.

#### ATTENTION!

**Before detaching the water tank (1), make sure that the power plug (9) is not inserted into the mains socket.**

- Take the water tank by both sides and remove it.
- Open the water inlet lid (2). Fill the water tank (1) with water non exceeding the MAX mark and close the water inlet lid (2) tightly.
- Do not fill the tank (1) with carbonated water, perfume additives, vinegar, chemical agents, etc.

- Install the water tank (1) back to its place and make sure that the tank (1) is fixed properly.

#### ATTENTION!

**Do not plug the garment steamer in if the water tank (1) is empty.**

- Place the garment steamer on the base (10) on a flat and steady surface.
- Connect the power plug (9) to the mains socket, press the ON/OFF button (7) «U», the indicator (6) will light up and start flashing. When the set temperature is reached, the indicator (6) will glow constantly.
- Take the garment steamer by the handle (8) on the same level with the steam supply on button (4).
- To switch the steam supply on, press and hold down the button (4).
- To switch the steam supply off release the button (4).
- For continuous steam supply, move the lock (3) downwards, to switch the continuous steam supply on, move the lock (3) upwards.
- Before general use of the garment steamer clean the steam chamber. To do this, direct the outgoing steam to a piece of cloth, for instance, try to smooth out a kitchen towel.
- If during the operation the water tank (1) becomes empty, switch the garment steamer off before removing the tank (1) and refilling it with water, press and hold the ON/OFF button (7) «U», disconnect

the power plug (9) from the mains socket. To do this, disconnect the power plug (9) from the mains socket.

- After the unit operation switch the garment steamer off, remove the power plug (9) from the mains socket and let the garment steamer cool down.

**Note:** when switching the unit on for the first time, foreign smell can appear. It is normal.

#### ATTENTION!

If the garment steamer is switched on and does not operate for 8 minutes, the heating element will switch off and the indicator (6) will be flashing. To switch the garment steamer on, press the steam supply button (4) or the ON/OFF button (7) «U», the garment steamer will switch on; wait until the indicator (6) glows constantly and continue the operation.

### USING THE BRUSH ATTACHMENT

#### ATTENTION!

**Before installing the brush attachment (11) and removing the tank (1), make sure that the power plug (9) is not inserted into the mains socket.**

- Install the brush attachment (11) on the garment steamer.
- Remove the water tank (1).
- Open the water inlet lid (2). Fill the water tank (1) with water non exceeding the MAX mark and close the water inlet lid (2) tightly.
- Do not fill the tank (1) with carbonated water, perfume additives, vinegar, chemical agents, etc.

- Install the water tank (1) back to its place and make sure that the tank (1) is fixed properly.
- Place the garment steamer on the base (10) on a flat and steady surface.
- Connect the power plug (9) to the mains, press the ON/OFF button (7) «⏻», the indicator (6) will light up and start flashing. When the unit reaches the set temperature, the indicator (6) will glow constantly.
- Take the garment steamer by the handle (8) on the same level with the steam supply on button (4).
- Hang the clothes on a hanger.

**Note:** never steam clothes on a person as the outgoing steam temperature is very high, use a hanger only.

- To switch the steam supply on, press and hold down the button (4).
- To switch the steam supply off release the button (4).
- For continuous steam supply, move the lock (3) downwards, to switch the continuous steam supply on, move the lock (3) upwards.
- Slowly move the brush attachment (11) along the fabric, smooth out the fabric with your free hand.

#### Notes:

- during operation, hold the garment steamer vertically and do not turn it over;

- during the garment steamer operation the upper part of the body becomes very hot. Be careful and do not touch hot parts of the unit body and the operating surface (3);

- after steaming the clothes may need some time to dry, leave them on the hanger.

- After the unit operation, press and hold the ON/OFF button (7) «⏻», remove the power plug (9) from the mains socket and let the garment steamer cool down.
- Detach the brush attachment.
- Remove the water tank (1), open the lid (2) and pour out the remaining water, install the water tank (1) back to its place.

#### OVERHEATING PROTECTION

- If you accidentally switch the garment steamer on without water or the water level appears to be below the minimal mark, the automatic thermal switch will be on and the garment steamer will be switched off and the indicator (6) will go out.
- In this case disconnect the power plug (9) from the mains sockets and let the garment steamer cool down for 15-20 minutes. Then fill the water tank (1) with water and insert the power plug (9) to the mains socket, the garment steamer will operate in normal mode.

#### CLEANING AND CARE

- Disconnect the power plug (9) from the mains socket and wait until the garment steamer cools down completely.
- Remove the water tank (1), open the lid (2) and pour out the remaining water, install the water tank (1) back to its place.
- Clean the garment steamer body (7) and the operating surface with the steam release openings (5) with a

slightly damp cloth, and then wipe dry.

- You can remove the mineral deposit from the operating surface (5) with a cloth soaked in vinegar-water solution.
- Remove the brush attachment (11) and wash it under a water jet.
- Do not use abrasive cleaners and solvents to clean the garment steamer.
- Do not immerse the garment steamer, the power cord (9) and the power plug (9) into water or any other liquids.

#### STORAGE

- Unplug the garment steamer and wait till it cools down completely.
- Clean the garment steamer.
- Keep the unit in a dry cool place out of reach of children and disabled persons.

#### Troubles and troubleshooting

#### DELIVERY SET

1. Garment steamer – 1 pc.
2. Brush attachment – 1 pc.
3. Manual – 1 pc.

#### TECHNICAL SPECIFICATIONS

- Power supply: 220-240 V, ~ 50/60 Hz
- Rated input power: 1400 W
- Water tank capacity: 220 ml
- Steam release: 25 g/min

#### RECYCLING



To prevent possible damage to the environment or harm to the health of people by uncontrolled waste disposal, after expiration of the service life of the unit or the batteries (if included), do not discard them with usual household waste,

take the unit and the batteries to specialized stations for further recycling.

The waste generated during the disposal of products is subject to mandatory collection and consequent disposal in the prescribed manner.

For further information about recycling of this product apply to a local municipal administration, a household waste disposal service or to the shop where you purchased this product.

The manufacturer reserves the right to change the design, structure and specifications not affecting general principles of the unit operation, without prior notice.

#### The unit operating life is 3 years

The manufacturing date is specified in the serial number.

In case of any malfunctions, it is necessary to apply promptly to the authorized service center.

## DAMPFBÜRSTE BR4120

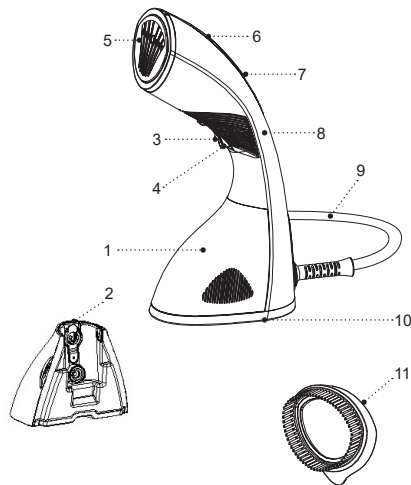
Die Dampfbürste ist für delikates Dämpfen von Falten auf Kleidung oder Einrichtungsgegenständen bestimmt.

### BESCHREIBUNG

1. Abnehmbarer Wasserbehälter
2. Einfüllöffnungsdeckel
3. Sperre der Dampfzufuhr
4. Dampfzufuhr
5. Arbeitsfläche mit Dampfauslassöffnungen
6. Betriebskontrolleuchte
7. Ein-/Ausschalttaste «U»
8. Tragegriff
9. Netzkabel
10. Fuß
11. Aufsatzbürste

### ACHTUNG!

Als zusätzlicher Schutz ist es zweckmäßig, den FI-Schalter mit Nennstrom maximal bis 30 mA im Stromversorgungskreis aufzustellen; wenden Sie sich dafür an einen Spezialisten.



### SICHERHEITSHINWEISE UND EMPFEHLUNGEN ZUR BEDIENUNG

Bevor Sie die Dampfbürste benutzen, lesen Sie die Bedienungsanleitung aufmerksam durch und bewahren Sie sie zum späteren Gebrauch auf.

- Benutzen Sie das Gerät nur bestimmungsmäßig und laut dieser Bedienungsanleitung.
- Missbrauch des Geräts kann zu seiner Störung führen, den Benutzer oder sein Eigentum beschädigen und ist kein Garantiefall.
- Vergewissern Sie sich, dass die auf dem Bezeichnungszettel angegebene Betriebsspannung und die Netzspannung übereinstimmen.
- Das Netzkabel ist mit einem Schuko-Stecker ausgestattet; stecken Sie diesen in die Steckdose mit sicherer Erdung ein.
- Um Brandgefahr zu vermeiden, verwenden Sie keine Adapter, wenn Sie das Gerät an eine Steckdose anschließen.
- Berühren Sie das Gerätegehäuse, das Netzkabel und den Netzstecker mit nassen Händen nicht.
- Schalten Sie die Dampfbürste mit einem leeren Wasserbehälter nicht ein. Schalten Sie das Gerät aus und trennen Sie es vom Stromnetz ab, nachdem Wasser im Behälter aufgebraucht ist.
- Lassen Sie das ans Stromnetz angeschlossene Gerät nie unbeaufsichtigt.
- Es ist nicht gestattet, das Gerät draußen und im Badezimmer zu benutzen.

- Es ist nicht empfohlen, das Gerät bei Gewitter zu benutzen.
- Schützen Sie das Gerät vor Stößen, Stürzen, Vibrationen und anderen mechanischen Einwirkungen.
- Benutzen Sie das Gerät in direkter Nähe von Heizgeräten, Wärmequellen oder offenem Feuer nicht.
- Benutzen Sie das Gerät in der Nähe von Spülbecken, in Badezimmern und neben den Wasserbecken oder anderen mit Wasser gefüllten Behältern nicht.
- Falls das Gerät ins Wasser gefallen ist, ziehen Sie den Netzstecker aus der Steckdose sofort heraus, erst danach holen Sie das Gerät aus dem Wasser heraus. Wenden Sie sich an einen autorisierten Kundendienst, um das Gerät prüfen oder reparieren zu lassen.
- Das Gerät darf an keinen Orten, an denen Aerosole benutzt oder versprüht werden, und auch in keiner Nähe von leichtentzündbaren Flüssigkeiten verwendet werden; verwenden Sie das Gerät an keinen Orten, an denen solche Flüssigkeiten aufbewahrt werden.
- Stellen Sie die Dampfbürste senkrecht auf einer ebenen, trockenen, feuchtigkeits- und hitzebeständigen Oberfläche auf, legen Sie sie horizontal nicht und kippen Sie sie nicht um.
- Benutzen Sie nur den mitgelieferten Aufsatz.
- Vergewissern Sie sich vor der Gerätenutzung, dass der Aufsatz richtig aufgestellt und befestigt ist.

- Halten Sie die Dampfbürste während des Betriebs aufrecht und kippen Sie sie nicht um.
- Es ist empfohlen, mit Haushaltsfiltern zusätzlich gereinigtes Wasser in den Behälter einzugießen. Benutzen Sie Gaswasser und Parfümzusätze nicht.
- Achten Sie darauf, dass der Wasserstand nicht über der «MAX»-Maximalmarke liegt. Falls der Wasserstand über der Maximalmarke ist, kann sich Wasser aus der Dampfbürste ausgießen.
- Decken Sie keine Dampfauslassöffnungen ab und stecken Sie keine Gegenstände in die Öffnungen ein.
- Während des Betriebs wird der Oberteil des Dampfbürstengehäuses sehr heiß; um Verbrennungen zu vermeiden, ist es empfohlen, die Dampfbürste am Tragegriff im Bereich der Dampfzufuhr Taste zu halten.
- Hüten Sie sich vor Heißdampfverbrühungen.
- Es ist verboten, die an einer Person angezogene Kleidung zu dämpfen, hängen Sie Kleidung immer nur an einen Kleiderbügel.
- Es ist nicht gestattet, die betriebene Dampfbürste auf Menschen, Tiere, Pflanzen, sowie auf Möbel, Elektrogeräte, Bücher und jegliche Gegenstände, die durch Heißdampf beschädigt werden können, zu richten. Der Abstand zwischen den Einrichtungsgegenständen und der Dampfbürste soll mindestens 20 cm betragen.
- Verwenden Sie das Netzkabel als Griff zum Tragen der Dampfbürste nicht, sondern tragen Sie das Gerät mit dem Tragegriff.

- Trennen Sie das Gerät nach dem Gebrauch oder vor der Reinigung vom Stromnetz unbedingt ab.
- Schalten Sie die Dampfbürste aus und ziehen Sie den Netzstecker aus der Steckdose heraus.
- Wenn Sie das Gerät vom Stromnetz abtrennen, halten Sie den Netzstecker fest und ziehen Sie ihn aus der Steckdose vorsichtig heraus; ziehen Sie das Netzkabel nicht, da es zu seiner Beschädigung und einem Kurzschluss führen kann.
- Aus Kindersicherheitsgründen lassen Sie die als Verpackung verwendeten Plastiktüten nie ohne Aufsicht.

Achtung! Lassen Sie Kinder mit Plastiktüten oder Verpackungsfolien nicht spielen. Erstickungsgefahr!

- Das Gerät ist nicht für Kinder bestimmt.
- Beaufsichtigen Sie Kinder, damit sie das Gerät als Spielzeug nicht benutzen.
- Lassen Sie Kinder die Arbeitsfläche, das Gerätegehäuse, das Netzkabel oder den Netzstecker während des Gerätebetriebs nicht berühren.
- Besondere Vorsichtsmaßnahmen sind in den Fällen angesagt, wenn sich Kinder oder behinderte Personen während des Gerätebetriebs in der Nähe aufhalten.
- Während des Betriebs und der Pausen zwischen den Betriebszyklen stellen Sie das Gerät an einen für Kinder unzugänglichen Ort auf.
- Das Gerät ist für Personen (darunter Kinder) mit Körper-, Nerven- und Geistesstörungen oder Personen ohne ausreichende Erfahrung

und Kenntnisse nicht geeignet, wenn sie sich unter Aufsicht der Person, die für ihre Sicherheit verantwortlich ist, nicht befinden oder entsprechende Anweisungen über die Nutzung des Geräts nicht bekommen haben.

- Prüfen Sie die Unversehrtheit des Netzkabels periodisch.
- Wenn das Netzkabel beschädigt ist, soll es vom Hersteller, vom Kundendienst oder von ähnlich qualifiziertem Personal ersetzt werden, um Gefahren zu vermeiden.
- Es ist nicht gestattet, das Gerät selbständig zu reparieren. Es ist nicht gestattet, das Gerät selbständig auseinanderzunehmen; bei der Feststellung jeglicher Beschädigungen, sowie im Sturzfall, trennen Sie das Gerät vom Stromnetz ab und wenden Sie sich an einen Kundendienst.
- Um Beschädigungen zu vermeiden, transportieren Sie das Gerät nur in der Fabrikverpackung.
- Bewahren Sie das Gerät an einem trockenen, kühlen und für Kinder und behinderte Personen unzugänglichen Ort auf.

**DAS GERÄT IST NUR FÜR DEN GEBRAUCH IM HAUSHALT GEEIGNET, ES IST VERBOTEN, DAS GERÄT ZU HANDELS- ODER LABORZWECKEN ZU BENUTZEN.**

## VOR DER ERSTEN NUTZUNG

**Packen Sie das Gerät aus und warten Sie mindestens 3 Stunden, bevor Sie es bei einer negativen Temperatur transportieren oder bewahren.**

- Packen Sie das Gerät aus und entfernen Sie alle Verpackungsmaterialien.
- Wenn sich ein Schutzfilm auf der Arbeitsfläche (5) befindet, entfernen Sie diesen.
- Bewahren Sie die Originalverpackung auf.
- Lesen Sie die Sicherheitsmaßnahmen und Bedienungsempfehlungen.
- Prüfen Sie die Komplettheit.
- Prüfen Sie das Gerät auf Beschädigungen; wenn es beschädigt ist, schließen Sie es ans Stromnetz nicht an.
- Vergewissern Sie sich, dass die angegebenen Parameter der Geräteversorgungsspannung und die Stromnetzparameter übereinstimmen. Beim 60-Hz-Stromnetz-Gerätebetrieb sind keine zusätzlichen Maßnahmen erforderlich.
- Wischen Sie das Dampfbürstengehäuse mit einem leicht angefeuchteten Tuch, danach trocknen Sie es ab.

## VERWENDUNGSZWECK DER DAMPFBÜRSTE

- Die Dampfbürste kann für delikates Dämpfen von Falten auf Kleidung oder Einrichtungsgegenständen verwendet werden.

- Falls Sie Zweifel haben, ob man die Dampfbürste zum Dämpfen eines Stoff- oder Kleidungsstyps verwenden kann, befolgen Sie die Anweisungen auf dem Erzeugnissetikett.

- Wenn solche Informationen fehlen, versuchen Sie, den Stoff von der Rückseite abzdämpfen.

- Beim Dämpfen solcher Stoffe wie Seide oder Kordstoff, halten Sie die Dampfbürste in einem gewissen Abstand vom Erzeugnis.

- Benutzen Sie die Aufsatzbürste (11) zur Entfernung von Härchen und Fäden vom Stoff.

## NUTZUNG DER DAMPFBÜRSTE

### WAHL DES WASSERS

- Füllen Sie den Behälter (1) mit Leitungswasser ein. Falls das Leitungswasser hart ist, mischen Sie es mit destilliertem Wasser in Verhältnis 1:1. Bei sehr hartem Wasser mischen Sie es mit destilliertem Wasser in Verhältnis 1:2 oder benutzen Sie nur destilliertes Wasser.

### ACHTUNG!

Vergewissern Sie sich vor dem Abnehmen des Behälters (1), dass der Stecker des Netzkabels (9) an die Steckdose nicht angeschlossen ist.

- Fassen Sie beide Seiten des Behälters und nehmen Sie ihn ab.

- Öffnen Sie den Einfüllöffnungsdeckel (2). Füllen Sie den Behälter (1) mit Wasser nicht über die MAX-Marke ein und schließen Sie den Einfüllöffnungsdeckel (2) fest.
- Es ist nicht gestattet, Gaswasser, Parfümzusätze, Essig, Chemikalien usw. in den Behälter (1) einzugießen.
- Stellen Sie den Wasserbehälter (1) zurück auf und stellen Sie sicher, dass der Behälter (1) sicher befestigt ist.

### ACHTUNG!

Schließen Sie die Dampfbürste ohne Wasser im Behälter (1) ans Stromnetz nicht an.

- Stellen Sie die Dampfbürste auf den Fuß (10) auf eine ebene und standfeste Oberfläche auf.
- Stecken Sie den Stecker des Netzkabels (9) in eine Steckdose ein, dabei leuchtet die Betriebskontrollleuchte (6), drücken Sie die Ein-/Ausschalttaste (7) «U», dabei leuchtet die Kontrollleuchte (6) auf und blinkt; wenn die eingestellte Temperatur erreicht ist, leuchtet die Kontrollleuchte (6) konstant.
- Nehmen Sie die Dampfbürste in die Hand und halten Sie sie am Tragegriff (8) im Bereich der Dampfzufuhraste (4).
- Um die Dampfzufuhr einzuschalten, halten Sie die Taste (4) gedrückt.
- Um die Dampfzufuhr auszuschalten, lassen Sie die Taste (4) los.

- Für eine konstante Dampfzufuhr verschieben Sie die Sperre (3) nach unten; um die konstante Dampfzufuhr auszuschalten, verschieben Sie die Sperre (3) nach oben.
- Reinigen Sie die Dampfkammer vor der Dampfbürstenhauptnutzung, richten Sie dazu Austrittsdampf auf einen Stoff, versuchen Sie beispielsweise, ein Küchentuch zu dämpfen.
- Wenn während des Betriebs das Wasser im Behälter (1) aus ist, schalten Sie die Dampfbürste aus, bevor Sie den Behälter (1) entfernen und mit Wasser füllen, ziehen Sie den Netzstecker (9) aus der Steckdose heraus, indem Sie die Ein-/Ausschalttaste «U» (7) gedrückt halten, ziehen Sie dazu den Stecker des Netzkabels (9) aus der Steckdose heraus.
- Nach dem Betrieb ziehen Sie den Netzstecker (9) aus der Steckdose heraus und lassen Sie die Dampfbürste abkühlen.

**Anmerkung:** beim ersten Einschalten kann ein Fremdgeruch entstehen, es ist normal.

### ACHTUNG!

Wenn die Dampfbürste eingeschaltet und 8 Minuten lang unbetrieben ist, schaltet sich in diesem Fall das Heizelement aus, wobei die Kontrollleuchte (6) blinkt. Um die Dampfbürste einzuschalten, drücken Sie die Dampfzufuhraste (4) oder die Ein-/Ausschalttaste «U» (7), die Dampfbürste schaltet sich ein, warten Sie ab, bis die Kontrollleuchte (6) konstant leuchtet, und setzen Sie den Betrieb fort.

## NUTZUNG DER AUFSATZBÜRSTE

### ACHTUNG!

**Stellen Sie vor dem Aufsetzen der Bürste (11) und dem Abtrennen des Behälters (1) sicher, dass der Stecker des Netzkabels (9) an keine Steckdose angeschlossen ist.**

- Setzen Sie die Aufsatzbürste (11) auf die Dampfbürste auf.
- Nehmen Sie den Wasserbehälter (1) ab.
- Öffnen Sie den Einfüllöffnungsdeckel (2). Füllen Sie den Behälter (1) mit Wasser nicht über die MAX-Marke ein und schließen Sie den Einfüllöffnungsdeckel (2) fest.
- Es ist nicht gestattet, Gaswasser, Parfümzusätze, Essig, Chemikalien usw. in den Behälter (1) einzugießen.
- Stellen Sie den Wasserbehälter (1) zurück auf und stellen Sie sicher, dass der Behälter (1) sicher befestigt ist.
- Stellen Sie die Dampfbürste auf den Fuß (10) auf eine ebene und standfeste Oberfläche auf.
- Stecken Sie den Netzstecker (9) in eine Steckdose ein, drücken Sie die Ein-/Ausschalttaste (7) «U», dabei leuchtet die Kontrollleuchte (6) auf und blinkt; wenn die eingestellte Temperatur erreicht ist, leuchtet die Kontrollleuchte (6) konstant.



- Nehmen Sie die Dampfbürste in die Hand und halten Sie sie am Tragegriff (8) im Bereich der Dampfzufuhr (4).
  - Hängen Sie die Kleidung an einen Kleiderbügel.
- Anmerkung:** es ist nicht gestattet, die an einer Person angezogene Kleidung zu dämpfen, weil die Austrittsdampftemperatur hoch ist, benutzen Sie nur einen Kleiderbügel.

- Um die Dampfzufuhr einzuschalten, halten Sie die Taste (4) gedrückt.
- Um die Dampfzufuhr auszuschalten, lassen Sie die Taste (4) los.
- Für eine konstante Dampfzufuhr verschieben Sie die Sperre (3) nach unten; um die konstante Dampfzufuhr auszuschalten, verschieben Sie die Sperre (3) nach oben.
- Führen Sie die Aufsatzbürste (11) langsam über den Stoff und richten Sie diesen mit Ihrer freien Hand aus.

#### **Anmerkungen:**

- halten Sie die Dampfbürste während des Betriebs senkrecht und kippen Sie sie nicht um;
- während des Dampfbürstenbetriebs ist der Oberteil des Gehäuses sehr heiß, seien Sie vorsichtig und berühren keinen heißen Teil des Gehäuses und der Arbeitsfläche (3);

- nach dem Dämpfen kann es einige Zeit dauern, bis das Kleidungsstück getrocknet ist; lassen Sie die Kleidung auf einem Kleiderbügel.

- Nach dem Betrieb halten Sie die Ein-/Ausschalttaste (7) «U» gedrückt, ziehen Sie den Netzstecker (9) aus der Steckdose heraus und lassen Sie die Dampfbürste abkühlen.
- Nehmen Sie die Aufsatzbürste ab.
- Entfernen Sie den Wasserbehälter (1), öffnen Sie den Deckel (2) und gießen Sie Restwasser aus, stellen Sie den Behälter (1) zurück auf.

#### **REINIGUNG UND PFLEGE**

- Ziehen Sie den Stecker des Netzkabels (9) aus der Steckdose heraus und warten Sie ab, bis die Dampfbürste vollständig abkühlt.
- Entfernen Sie den Wasserbehälter (1), öffnen Sie den Deckel (2) und gießen Sie Restwasser aus, stellen Sie den Behälter (1) zurück auf.
- Wischen Sie das Dampfbürstengehäuse (7) und die Arbeitsfläche mit den Dampfauslassöffnungen (5) mit einem leicht angefeuchteten Tuch und danach trocknen Sie sie ab.
- Mineralablagerungen an der Arbeitsfläche (5) können mit einem in einer wässrigen Essiglösung angefeuchteten Tuch entfernt werden.
- Entfernen Sie die Aufsatzbürste (11) und spülen Sie ihn unter fließendem Wasserstrahl ab.
- Es ist nicht gestattet, Abrasiv- und Lösungsmittel zum Reinigen der Dampfbürste zu benutzen.

- Es ist nicht gestattet, die Dampfbürste, das Netzkabel (9) und den Stecker des Netzkabels (9) in Wasser oder jegliche andere Flüssigkeiten einzutauchen.

#### **AUFBEWAHRUNG**

- Trennen Sie die Dampfbürste vom Stromnetz ab und warten Sie ab, bis sie völlig abkühlt.
- Reinigen Sie die Dampfbürste.
- Bewahren Sie das Gerät an einem trockenen, kühlen und für Kinder und behinderte Personen unzugänglichen Ort auf.

#### **Mögliche Störungen und Abhilfe:**

#### **LIEFERUMFANG**

1. Dampfbürste – 1 Stk.
2. Aufsatzbürste – 1 Stk.
3. Bedienungsanleitung – 1 Stk.

#### **TECHNISCHE EIGENSCHAFTEN**

- Stromversorgung: 220-240 V, ~ 50/60 Hz
- Nennleistungsaufnahme: 1400 W
- Fassungsvermögen des Wasserbehälters: 220 ml
- Dampfzufuhr: 25 g/Min.

#### **ENTSORGUNG**



Um möglichen Schaden für die Umwelt oder die menschliche Gesundheit durch unkontrollierte Abfallentsorgung zu vermeiden, werfen Sie das Gerät und die Batterien (falls mitgeliefert) nach Beendigung ihrer Nutzungsdauer

zusammen mit gewöhnlichen Haushaltsabfällen nicht weg, geben Sie das Gerät und die Batterien in die Spezialpunkte für weitere Verwertung über.

Die bei der Entsorgung der Erzeugnisse entstehenden Abfälle sind unbedingt zu sammeln und weiter ordnungsmäßig zu entsorgen.

Mehrere Informationen zur Entsorgung dieses Produkts erhalten Sie bei Ihrer lokalen Stadtverwaltung, einem Abfallentsorgungsdienst oder beim Geschäft, wo Sie dieses Produkt gekauft haben.

Der Hersteller behält sich das Recht vor, das Design, die Konstruktion und die das gemeine Gerätebetriebsprinzip nicht beeinflussende technische Eigenschaften ohne Vorbenachrichtigung zu verändern.

#### **Die Gerätenutzungsdauer beträgt 3 Jahre**

Das Herstellungsdatum ist in der Fabrikationsnummer angegeben.

Bei Störungsfeststellung wenden Sie sich baldigst an einen autorisierten Kundendienst.

## РУЧНОЙ ОТПАРИВАТЕЛЬ BR4120

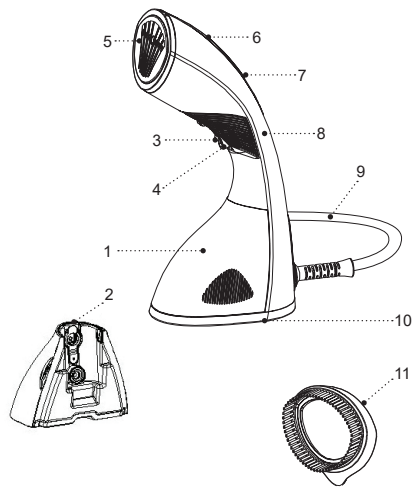
Отпариватель предназначен для деликатного разглаживания складок на одежде или предметах интерьера.

### ОПИСАНИЕ

1. Съёмный резервуар для воды
2. Крышка заливочного отверстия
3. Блокировка кнопки подачи пара
4. Кнопка подачи пара
5. Рабочая поверхность с отверстиями выхода пара
6. Индикатор работы
7. Кнопка включения/выключения « $\text{U}$ »
8. Ручка
9. Шнур питания
10. Основание
11. Насадка-щётка

### ВНИМАНИЕ!

Для дополнительной защиты в цепи питания целесообразно установить устройство защитного отключения (УЗО) с номинальным током срабатывания, не превышающим 30 мА, для установки УЗО обратитесь к специалисту.



### МЕРЫ БЕЗОПАСНОСТИ И РЕКОМЕНДАЦИИ ПО ЭКСПЛУАТАЦИИ

Перед использованием отпаривателя внимательно ознакомьтесь с руководством по эксплуатации, после прочтения сохраните его для использования в будущем.

- Используйте устройство только по его прямому назначению, как изложено в данной инструкции.
- Неправильное обращение с устройством может привести к его поломке, причинению вреда пользователю или его имуществу и не является гарантийным случаем.
- Убедитесь, что рабочее напряжение устройства, указанное на этикетке, соответствует напряжению электросети.
- Шнур питания снабжён «евровилкой»; включайте её в электрическую розетку, имеющую надёжный контакт заземления.
- Во избежание риска возникновения пожара не используйте переходники при подключении устройства к электрической розетке.
- Не прикасайтесь к корпусу устройства, к шнуру питания и к вилке шнура питания мокрыми руками.
- Не включайте отпариватель при отсутствии в резервуаре воды. Выключайте устройство и отключайте его от электрической сети после окончания воды в резервуаре.
- Не оставляйте устройство, включённое в сеть, без присмотра.

- Запрещается использовать устройство вне помещений и в ванной комнате.
- Не рекомендуется использовать устройство во время грозы.
- Оберегайте устройство от ударов, падений, вибраций и иных механических воздействий.
- Не используйте устройство в непосредственной близости от нагревательных приборов, источников тепла или открытого пламени.
- Не используйте устройство вблизи от кухонной раковины, в ванных комнатах, около бассейнов или других ёмкостей, наполненных водой.
- Если устройство упало в воду, немедленно выньте вилку шнура питания из электрической розетки, и только после этого можно достать устройство из воды. Обратитесь в сервисный центр для осмотра или ремонта устройства.
- Запрещается использовать устройство в местах, где используются или распыляются аэрозоли, а также вблизи от легковоспламеняющихся жидкостей, запрещается использовать устройство в местах хранения таких жидкостей.
- Устанавливайте отпариватель вертикально на ровной сухой влагостойкой и термостойкой поверхности, не кладите его горизонтально и не переворачивайте.
- Используйте только насадку, которая входит в комплект поставки.

- Перед началом использования устройства, убедитесь в том, что насадка установлена правильно и зафиксирована.
- Во время работы держите отпариватель вертикально, запрещается переворачивать его.
- Рекомендуется заливать в резервуар воду, прошедшую дополнительную очистку бытовыми фильтрами. Не используйте газированную воду и парфюмерные добавки.
- Следите, чтобы уровень воды был не выше максимальной отметки «MAX». Если уровень воды будет выше максимальной отметки, вода может выплеснуться из отпаривателя.
- Не закрывайте отверстия выхода пара, запрещается вставлять в отверстия посторонние предметы.
- Во время работы верхняя часть корпуса отпаривателя сильно нагревается, во избежание получения ожогов рекомендуется держать отпариватель за ручку на уровне кнопки подачи пара.
- Остерегайтесь получения ожогов горячим паром.
- Запрещается отпаривать одежду, надетую на человека, всегда вешайте одежду только на плечики.
- Не направляйте работающий отпариватель на людей, животных, растения, а также на мебель, электроприборы, книги и любые предметы, которые могут быть повреждены горячим паром.

Расстояние между предметами интерьера и отпаривателем должно быть не менее 20 см.

- Не используйте шнур питания в качестве ручки для переноски отпаривателя, переносите устройство, взявшись за ручку.
- Отключайте устройство от электросети после использования или перед чисткой.
- Выключите отпариватель и выньте вилку шнура питания из электрической розетки.
- При отключении устройства от электрической сети держитесь за вилку шнура питания и аккуратно выньте её из электрической розетки, не тяните за шнур питания – это может привести к его повреждению и вызвать короткое замыкание.
- Из соображений безопасности детей не оставляйте полиэтиленовые пакеты, используемые в качестве упаковки, без надзора.

**Внимание!** Не разрешайте детям играть с полиэтиленовыми пакетами или упаковочной плёнкой.

**Опасность удушья!**

- Устройство не предназначено для использования детьми.
- Осуществляйте надзор за детьми, чтобы не допустить использования устройства в качестве игрушки.
- Не разрешайте детям прикасаться к рабочей поверхности, к корпусу устройства, к шнуру пита-

ния или к вилке шнура питания во время работы устройства.

- Будьте особенно внимательны, если поблизости от работающего устройства находятся дети или лица с ограниченными возможностями.
- Во время работы и в перерывах между рабочими циклами размещайте устройство в местах, недоступных для детей.
- Прибор не предназначен для использования лицами (включая детей) с пониженными физическими, психическими или умственными способностями, или при отсутствии у них опыта или знаний, если они не находятся под контролем или не проинструктированы лицом, ответственным за их безопасность, об использовании прибора.
- Периодически проверяйте целостность шнура питания.
- При повреждении шнура питания его замену, во избежание опасности, должны производить изготовитель, сервисная служба или подобный квалифицированный персонал.
- Запрещается самостоятельно ремонтировать устройство. Не разбирайте устройство самостоятельно, при возникновении любых неисправностей, а также после падения устройства отключите его от электросети и обратитесь сервисный центр.
- Во избежание повреждений перевозите устройство в заводской упаковке.

- Храните устройство в сухом прохладном месте, недоступном для детей и людей с ограниченными возможностями.

**УСТРОЙСТВО ПРЕДНАЗНАЧЕНО ТОЛЬКО ДЛЯ БЫТОВОГО ИСПОЛЬЗОВАНИЯ, ЗАПРЕЩАЕТСЯ ИСПОЛЬЗОВАТЬ УСТРОЙСТВО В КОММЕРЧЕСКИХ ИЛИ ЛАБОРАТОРНЫХ ЦЕЛЯХ.**

**ПЕРЕД ПЕРВЫМ ИСПОЛЬЗОВАНИЕМ**

**После транспортировки или хранения устройства при отрицательной температуре распакуйте его и подождите не менее 3 часов перед использованием.**

- Распакуйте устройство и удалите все упаковочные материалы.
- При наличии защитной плёнки на рабочей поверхности (5) снимите её.
- Сохраните заводскую упаковку.
- Ознакомьтесь с мерами безопасности и рекомендациями по эксплуатации.
- Проверьте комплектацию.
- Осмотрите устройство на наличие повреждений при наличии повреждений не включайте его в электрическую сеть.
- Убедитесь, что указанные параметры напряжения питания устройства, соответствуют параметрам электрической сети. При использовании устройства в электрической сети частотой 60 Гц никаких дополнительных действий не требуется.

- Протрите корпус отпаривателя слегка влажной тканью, после чего вытрите насухо.

### НАЗНАЧЕНИЕ ОТПАРИВАТЕЛЯ

- Отпариватель можно использовать для разглаживания складок на одежде или предметах интерьера.

- Если вы сомневаетесь в использовании отпаривателя для определённого типа ткани или одежды, руководствуйтесь данными ярлыка на изделии.

- Если подобная информация отсутствует, попробуйте отпарить ткань с изнаночной стороны.

- Отпаривая такие ткани, как шёлк или вельвет, держите отпариватель на некотором расстоянии от изделия.

- Используйте насадку-щётку (11) для удаления с ткани ворсинок или ниток.

### ИСПОЛЬЗОВАНИЕ ОТПАРИВАТЕЛЯ

#### ВЫБОР ВОДЫ

- Наполняйте резервуар (1) водопроводной водой. Если водопроводная вода жёсткая, рекомендуется смешивать ее с дистиллированной водой в соотношении 1:1, при очень жёсткой воде смешивайте её с дистиллированной водой в соотношении 1:2 или используйте только дистиллированную воду.

### ВНИМАНИЕ!

**Перед отсоединением резервуара (1) убедитесь, что вилка шнура питания (9) не вставлена в электрическую розетку.**

- Возьмитесь с обеих сторон резервуара и снимите его.
- Откройте крышку заливочного отверстия (2). Заполните резервуар (1) водой, не превышая отметку MAX, и плотно закройте крышку заливочного отверстия (2).
- Запрещается в резервуар (1) заливать газированную воду, парфюмерные добавки, уксус, химические вещества и т. п.
- Установите резервуар для воды (1) на место, убедитесь в надёжной фиксации резервуара (1).

### ВНИМАНИЕ!

**Не включайте отпариватель в электрическую сеть, если в резервуаре (1) отсутствует вода.**

- Установите отпариватель на основание (10) на ровную и устойчивую поверхность.
- Вставьте вилку шнура питания (9) в электрическую розетку, нажмите кнопку включения/выключения (7) « $\cup$ », при этом загорится и будет мигать индикатор (6), при достижении заданной температуры индикатор (6) будет светиться постоянно.
- Возьмите отпариватель в руку и держите его за ручку (8) на уровне кнопки подачи пара (4).

- Для включения подачи пара нажмите и удерживайте кнопку (4).
- Для выключения подачи пара отпустите кнопку (4).
- Для постоянной подачи пара сдвиньте блокировку (3) вниз, для выключения постоянной подачи пара сдвиньте блокировку (3) вверх.
- Перед основным использованием отпаривателя проведите очистку паровой камеры, для этого направьте выходящий пар на ткань, например, попробуйте разгладить кухонное полотенце.
- Если во время работы в резервуаре (1) закончилась вода, перед снятием и наполнением водой резервуара (1) отключите отпариватель, нажав и удерживая кнопку включения/выключения (7) « $\cup$ », выньте вилку шнура питания (9) из электрической розетки.
- После окончания работы выключите отпариватель, выньте вилку шнура питания (9) из электрической розетки и дайте отпаривателю остыть.

**Примечание:** при первом включении возможно появление постороннего запаха, это нормальное явление.

### ВНИМАНИЕ!

Если отпариватель включен и не работает в течение 8 минут, в этом случае нагревательный элемент выключится, индикатор (6) будет мигать. Для включения отпаривателя нажмите кнопку подачи пара (4)

или кнопку включения/выключения (7) « $\cup$ », отпариватель включится, дождитесь постоянного свечения индикатора (6) и продолжите работу.

### ИСПОЛЬЗОВАНИЕ НАСАДКИ-ЩЁТКИ

#### ВНИМАНИЕ!

**Перед установкой щётки (11) и отсоединением резервуара (1) убедитесь, что вилка шнура питания (9) не вставлена в электрическую розетку.**

- Установите насадку-щётку (11) на отпариватель.
- Снимите резервуар для воды (1).
- Откройте крышку заливочного отверстия (2). Заполните резервуар (1) водой, не превышая отметку MAX, и плотно закройте крышку заливочного отверстия (2).
- Запрещается в резервуар (1) заливать газированную воду, парфюмерные добавки, уксус, химические вещества и т. п.
- Установите резервуар для воды (1) на место, убедитесь в надёжной фиксации резервуара (1).
- Вставьте вилку шнура питания (9) в электрическую розетку, нажмите кнопку включения/выключения (7) « $\cup$ », при этом загорится и будет мигать индикатор (6), при достижении заданной температуры, индикатор (6) будет светиться постоянно.
- Установите отпариватель на основание (10) на ровную и устойчивую поверхность.

- Вставьте вилку шнура питания (9) в электрическую розетку, при этом загорится индикатор (6), подождите некоторое время (от 3 до 5 минут), необходимое для нормального парообразования.
- Возьмите отпариватель в руку и держите его за ручку (8) на уровне кнопки подачи пара (4).
- Повесьте одежду на плечики.

**Примечание:** запрещается отпаривать одежду, надетую на человека, т. к. температура выходящего пара высокая, пользуйтесь только плечиками.

- Для включения подачи пара нажмите и удерживайте кнопку (4).
- Для выключения подачи пара отпустите кнопку (4).
- Для постоянной подачи пара сдвиньте блокировку (3) вниз, для выключения постоянной подачи пара, сдвиньте блокировку (3) вверх.
- Медленно проводите насадкой-щёткой (11) по ткани, расправляйте ткань свободной рукой.

**Примечания:**

- во время работы держите отпариватель вертикально и не переворачивайте его;

- при работе отпаривателя верхняя часть корпуса сильно нагревается, соблюдайте осторожность и не касайтесь горячей части корпуса и рабочей поверхности (3);

- после отпаривания предмету одежды может потребоваться некоторое время для высыхания, оставьте одежду на плечиках.

- После окончания работы нажмите и удерживайте кнопку включения/выключения (7) « $\cup$ », выньте вилку шнура питания (9) из электрической розетки и дайте отпаривателю остыть.
- Снимите насадку-щётку.
- Снимите резервуар для воды (1), откройте крышку (2) и вылейте остатки воды, установите резервуар (1) на место.

**ЧИСТКА И УХОД**

- Выключите отпариватель, выньте вилку шнура питания (9) из электрической розетки и дождитесь полного остывания отпаривателя.
- Снимите резервуар для воды (1), откройте крышку (2) и вылейте остатки воды, установите резервуар (1) на место.
- Протрите корпус отпаривателя (7) и рабочую поверхность с отверстиями для выхода пара (5) слегка влажной тканью, после чего вытрите насухо.
- Минеральные отложения на рабочей поверхности (5) можно удалить тканью, смоченной в водно-уксусном растворе.
- Снимите насадку-щётку (11) и промойте её под струёй воды.

- Запрещается использовать для чистки отпаривателя абразивные чистящие средства и растворители.
- Запрещается погружать отпариватель, шнур питания (9) и вилку шнура питания (9) в воду или любые другие жидкости.

**ХРАНЕНИЕ**

- Отключите отпариватель от электрической сети и дождитесь его полного остывания.
- Проведите чистку отпаривателя.
- Храните устройство в сухом прохладном месте, недоступном для детей и людей с ограниченными возможностями.

**Возможные неисправности и способы их устранения:**

**КОМПЛЕКТ ПОСТАВКИ**

1. Отпариватель – 1 шт.
2. Насадка-щётка – 1 шт.
3. Инструкция – 1 шт.

**ТЕХНИЧЕСКИЕ ХАРАКТЕРИСТИКИ**

- Электропитание: 220-240 В, ~ 50/60 Гц
- Номинальная потребляемая мощность: 1400 Вт
- Объём резервуара для воды: 220 мл
- Выход пара: 25 г/мин

**УТИЛИЗАЦИЯ**



Чтобы предотвратить возможный вред окружающей среде или здоровью людей от неконтролируемой утилизации отходов, после окончания срока службы устройства или элементов питания (если входят в комплект), не выбрасывайте их вместе с обычными бытовыми отходами, передайте прибор и элементы питания в специализированные пункты для дальнейшей утилизации.

Отходы, образующиеся при утилизации изделий, подлежат обязательному сбору с последующей утилизацией в установленном порядке.

Для получения дополнительной информации об утилизации данного продукта обратитесь в местный муниципалитет, службу утилизации бытовых отходов или в магазин, где Вы приобрели данный продукт.

Производитель сохраняет за собой право изменять дизайн, конструкцию и технические характеристики, не влияющие на общие принципы работы устройства, без предварительного уведомления.

**Срок службы устройства – 3 года**


Дата производства указана в серийном номере.

В случае обнаружения каких-либо неисправностей необходимо обратиться в авторизованный сервисный центр.

## БУЛАНДЫРҒЫШ BR4120

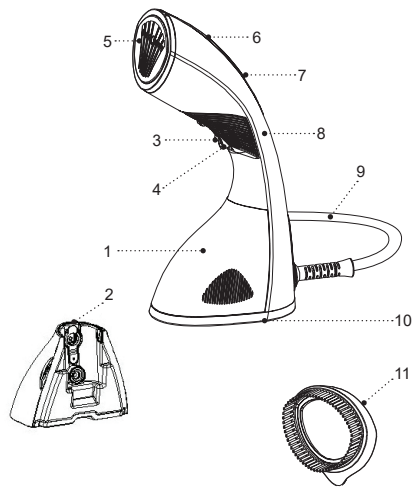
Буландырғыш киімдегі немесе интерьер заттарындағы қыртыстарды биязы үтіктеуге арналған.

### СИПАТТАМАСЫ

1. Суға арналған шешілмелі суқойма
2. Құятын саңылаудың қақпағы
3. Бу жіберу батырмасын бұғаттау
4. Бу беру түймесі
5. Будың шығатын тесіктері бар жұмыс беті
6. Жұмыс индикаторы
7. Қосу/сөндіру батырмасы «»
8. Тұтқа
9. Қоректендіру бауы
10. Негізі
11. Қондырма-қылшақ

### НАЗАР АУДАРЫҢЫЗ!

Қосымша қорғаныс үшін қуаттандыру тізбегінде номиналдық іске қосылу тогы 30 мА аспайтын қорғаныс сөндіру құралын (ҚСҚ) орнатқан дұрыс, ҚСҚ-ны орнату үшін маманға жүгініңіз.



### ҚАУІПСІЗДІК ШАРАЛАРЫ ЖӘНЕ ПАЙДАЛАНУҒА БЕРУ ЖӨНІНДЕГІ НҰСҚАУЛЫҚ

Буландырғышты пайдалану алдында пайдалануға беру жөніндегі нұсқаулықпен жіті танысыңыз, оқығаннан кейін болашақта пайдалану үшін сақтап қойыңыз.

- Құралды осы нұсқаулықта баяндалғандай, оның тікелей мақсаты бойынша ғана пайдаланыңыз.
- Құралды дұрыс қолданбау оның бұзылуына, және пайдаланушыға немесе оның мүлкіне зиян келтіруге әкелуі мүмкін және кепілдік жағдайы болып табылмайды.
- Заттаңбада көрсетілген құралдың жұмыс кернеуі электр желісінің кернеуіне сәйкес екеніне көз жеткізіңіз.
- Қуаттандыру бауы «еуроайырман» жабдықталған; оны жерге сенімді қосылған байланысы бар электрлік розеткаға қосыңыз.
- Өрт шығу қаупін болдырмау үшін құралды электр розеткасына қосу кезінде ауыстырғыштарды пайдаланбаңыз.
- Құралдың корпусын, қуаттандыру бауын және қуаттандыру бауының айырын дымқыл қолмен ұстамаңыз.
- Суқоймада су жоқ болған кезде буландырғышты қосуға болмайды. Суқоймада су аяқталғаннан кейін құралды өшіріп, оны электрлік желіден ажырату керек.

- Желіге қосылған құралды қараусыз қалдырмаңыз.
- Құралды үйжайлардан тыс жерде және жуынатын бөлмеде пайдалануға тыйым салынады.
- Найзағай кезінде құралды пайдалануға кеңес берілмейді.
- Құралды соққыдан, құлаудан, дірілден және басқа да механикалық әсерлерден сақтаңыз.
- Құралды жылыту аспаптарының, ашық оттың немесе жылу көздерінің тікелей жанында пайдалануға болмайды.
- Құралды асүй раковинасына жақын, жуынатын бөлмеде, бассейндер немесе басқа да су толтырылған сыйымдылықтарға жақын жерде пайдалануға болмайды.
- Егер құрал суға құлап кетсе, дереу қуаттандыру бауының айырын электр розеткасынан суырыңыз, содан кейін ғана құралды судан алып шығуға болады. Құралды тексерту немесе жөндеу үшін сервис орталығына жүгініңіз.
- Құралды аэрозольдар пайдаланылатын немесе шашырайтын жерлерде, сондай-ақ тез тұтанатын сұйықтықтарға жақын жерлерде пайдалануға тыйым салынады, мұндай сұйықтықтарды сақтау орындарында құралды пайдалануға тыйым салынады.
- Буландырғышты тігінен тегіс ылғалға төзімді бетке орналастырыңыз, оны көлденең қоймаңыз және бұрмаңыз.
- Жеткізілім жиынтығына кіретін бөлшектерді ғана пайдаланыңыз.

- Құралды пайдалану алдында қондырманың дұрыс орнатылғанына және сенімді бекітілгеніне көз жеткізіңіз.
- Жұмыс кезінде буландырғышты вертикаль түрінде ұстаңыз, оны аударуға тыйым салынады.
- Суқоймаға тұрмыстық сүзгіштен қосымша тазаланған суды құюға кеңес беріледі. Газдалған су мен парфюм қоспаларын пайдаланбаңыз.
- Судың деңгейі «MAX» максималдық белгісінен жоғары болмауын бақылаңыз. Егер су деңгейі максималдық белгіден асып кетсе, онда су буландырғыштан шашырап төгілуі мүмкін.
- Бу шығатын тесікті жабуға болмайды, тесікке бөтен заттарды салуға тыйым салынады.
- Жұмыс істеген уақытта буландырғыш корпусының жоғары бөлігі қатты қызады, күйіп қалмай үшін буландырғышты бу беретін түйменің деңгейінде, тұтқасынан ұстауға кеңес беріледі.
- Ыстық буға күйіп қалудан сақтаныңыз.
- Адам киіп тұрған киімді буландыруға тыйым салынады, киімді үнемі тек қана ілгішке іліңіз.
- Жұмыс істеп тұрған буландырғышты адамдарға, жануарларға, өсімдіктерге, сондай-ақ жиһазға, электрлік құралдарға, кітаптар мен ыстық будан зақымданып қалатын кез-келген нәрселерге бағыттауға болмайды. Интерьер бұйымдары мен буландырғыш арасындағы қашықтық 20 см кем болмауы қажет.
- Қуаттандыру бауын буландырғышты тасымалдайтын тұтқа ретінде пайдалануға болмайды, құралды тұтқасынан ұстап тасымалдаңыз.
- Құралды пайдаланып болғаннан кейін немесе тазалау алдында міндетті түрде сөндіріңіз.
- Буландырғышты сөндіріңіз және қуаттандыру бауының айырын электрлік розеткадан суырыңыз.
- Құралды электр желісінен ажыратқан кезде қуаттандыру бауының айырынан ұстаңыз және оны электр розеткасынан абайлап суырыңыз, қуаттандыру бауынан тартпаңыз – бұл оның зақымдануына әкеліп, қысқа тұйықталуын тудыруы мүмкін.
- Балалардың қауіпсіздігі үшін қаптама ретінде пайдаланылатын полиэтилен пакеттерді қадағалаусыз қалдырмаңыз.

**Назар аударыңыз!** Балаларға полиэтилен қаптармен немесе қаптамалық үлдірмен ойнауға рұқсат етпеңіз. **Тұншығу қаупі бар!**

- Құрал балалардың пайдалануына арналмаған.
- Құралды ойыншық ретінде пайдалануға жол бермеу үшін балаларды қадағалаңыз.
- Балаларға жұмыс істеп тұрған құралдың жұмыс бетін, құрал корпусын, қуаттандыру бауы немесе қуаттандыру бауының айырын ұстауға рұқсат етпеңіз.
- Егер жұмыс істеп тұрған құралдың маңында балалар немесе мүмкіндіктері шектеулі адамдар болса, онда ерекше назарда болыңыз.

- Жұмыс істеу уақытында және жұмыс циклдері арасындағы үзілістерде құралды балалардың қолы жетпейтін жерде орналастырыңыз.
- Дене, жүйке немесе сана мүмкіндіктері төмендетілген тұлғалардың (балаларды қоса алғанда) немесе оларда тәжірибесі немесе білімі болмаса, егер олар бақыланбаса немесе олардың қауіпсіздігі үшін жауап беретін тұлғамен аспапты пайдалану туралы нұсқаулықтар берілген болмаса, аспап олардың пайдалануына арналмаған.
- Желілік баудың бүтіндігін жүйелі түрде тексеріп отырыңыз.
- Қуаттандыру бауы зақымданғанда қауіп тудырмау үшін оны дайындаушы, сервистік қызмет немесе баламалы білікті маман ауыстыруы тиіс.
- Құралды өздігіңізден жөндеуге тыйым салынады. Құралды өздігіңізден бөлшектемеңіз, кез-келген ақаулықтар пайда болғанда, сондай-ақ құрал құлаған болса оны электр желісінен ажыратыңыз және сервис орталығына жүгініңіз.
- Зақымдануларға жол бермеу үшін құралды тек зауыттық қаптамада тасымалдаңыз.
- Құралды салқын және құрғақ, балалардың және мүмкіндігі шектеулі адамдардың қолы жетпейтін жерде сақтаңыз.

**ҚҰРАЛ ТЕК ТҰРМЫСТЫҚ ПАЙДАЛАНУҒА АРНАЛҒАН, ҚҰРАЛДЫ КОММЕРЦИЯЛЫҚ НЕМЕСЕ ЗЕРТХАНАЛЫҚ МАҚСАТТАРДА ПАЙДАЛАНУҒА ТЫЙЫМ САЛЫНАДЫ.**

## АЛҒАШ РЕТ ПАЙДАЛУ АЛДЫНДА

**Құралды төмен температурада тасымалдағаннан кейін немесе сақтаған болсаңыз, оны қаптамадан шығарыңыз және пайдалану алдында 3 сағаттан кем емес уақыт күтіңіз.**

- Құралды қаптамадан шығарыңыз және барлық қаптама материалдарын жойыңыз.
- Жұмыс бетінде (5) қорғаныс үлдірі бар болса, оны шешіңіз.
- Зауыттық қаптамасын сақтап қойыңыз.
- Қауіпсіздік шаралары мен пайдалануға беруге қатысты кеңестермен танысыңыз.
- Жинақталымын тексеріңіз.
- Құралды зақымдануының бар-жоқтығына тексеріп алыңыз, зақымдануы болған жағдайда оны электр желіге қосуға болмайды.
- Құралда көрсетілген қуаттандыру кернеуінің параметрлері электр желісінің параметрлеріне сәйкес келетініне көз жеткізіңіз. Құралды 60 Гц жиіліктегі электр желісінде пайдаланған кезде ешқандай қосымша әрекет қажет емес.
- Буландырғыштың корпусын сәл дымқыл матамен сүртіңіз, содан кейін құрғатып сүртіңіз.

## БУЛАНДЫРҒЫШТЫҢ МАҚСАТЫ

– Буландырғышты киімдегі немесе интерьер заттарындағы қыртыстарды биязы үтіктеу үшін пайдалануға болады.

– Егер сіз буландырғышты белгілі типтегі мата немесе киім үшін пайдалануға күмәндансаңыз, онда бұйым затбелгісіндегі деректерді басшылыққа алыңыз.

– Егер осындай ақпарат жоқ болса, онда матаның ішкі жағын буландырып көріңіз.

– Жібек немесе ши барқыт сияқты маталарды буландырғанда, буландырғышты бұйымнан біраз алшақтау ұстаңыз.

– Матадан түктерді немесе жіптерді тазалау үшін қондырма-қылшақты (11) пайдаланыңыз.

## БУЛАНДЫРҒЫШТЫ ПАЙДАЛАНУ

### СУДЫ ТАҢДАУ

- Суқоймаға (1) су құбырының суын құйыңыз. Егер су құбырының суы қатты болса, онда оны дистилдендірілген сумен 1:1 қатынасында араластыруға кеңес беріледі, су өте қатты болған жағдайда дистилдендірілген сумен 1:2 қатынасында араластырыңыз немесе тек дистилдендірілген суды пайдаланыңыз.

### НАЗАР АУДАРЫҢЫЗ!

Суқойманы (1) шешудің алдында қуаттандыру бауының айыры (9) электрлік розеткаға салынбағанына көз жеткізіңіз.

- Суқойманы екі жағынан ұстаңыз және оны шешіп алыңыз.

- Су құятын тесіктің (2) қақпағын ашыңыз. MAX белгісінен асып кетпей, суқоймаға (1) су толтырыңыз, қятын тесіктің қақпағын (2) тығыздап жабыңыз.
- Суқоймаға (1) газдалған су, хош иісті қоспалар, сірке суы, химиялық заттар ж.т.б. құюға тыйым салынады.
- Суға арналған суқойманы (1) орнына орнатыңыз, суқойманың (1) сенімді бекітілгендігіне көз жеткізіңіз.

### НАЗАР АУДАРЫҢЫЗ!

Егер суқоймасында (1) су жоқ болса, онда буландырғышты электр желісіне қоспаңыз.

- Буландырғышты тегіс және тұрақты бетке негізіне (10) орнатыңыз.
- Қуаттандыру бауының айырын (9) электрлік розеткаға салыңыз, осы кезде индикатор (6) жанады; қосу/сөндіру (7) «U» батырмасын басыңыз, осы ретте индикатор (6) жанады және жыпылықтай бастайды, берілген температураға жеткен кезде, индикатор (6) тұрақты жана бастайды.
- Буландырғышты қолыңызға алып, оны бу беру (4) деңгейінде тұтқасынан (8) ұстаңыз.
- Бу жіберуді қосу үшін түймені (4) басыңыз және ұстап тұрыңыз.
- Бу жіберуді өшіру үшін түймені (4) жіберіңіз.
- Бұды үнемі жіберу үшін, бұғаттауышты (3) төмен жылжытыңыз, бұды үнемі жіберуді сөндіру үшін, бұғаттауышты (3) жоғары қарай жылжытыңыз.

- Буландырғышты негізгі пайдалану алдында бу камерасын тазалау керек, ол үшін шыққан буды матаға, мысалы ас үй орамалын үтіктеп көріңіз, бағыттау керек.
- Егер жұмыс уақытында суқоймада (1) су бітіп қалса, онда суқойманы (1) шешу және су толтырудың алдында буландырғышты өшіріңіз, қосу/сөндіру батырмасын (7) «U» басып және басып тұрып, қуаттандыру бауының ашасын (9) электр розеткадан шығарыңыз, ол үшін қуаттандыру бауының айырын (9) электрлік розеткадан шығарыңыз.
- Жұмысты аяқтағаннан кейін булағышты сөндіріңіз, қуаттандыру бауының ашасын (9) электр розеткадан шығарыңыз және булағышты суытыңыз.

**Ескертпе:** алғаш рет қосқан уақытта бөтен иістер пайда болуы мүмкін, бұл қалыпты құбылыс.

### НАЗАР АУДАРЫҢЫЗ!

Егер булағыш қосылған болса және 8 минут бойы жұмыс істемесе, бұл ретте қыздырғыш элемент сөндіріледі, индикатор (6) жыпылықтап тұрады. Булағышты қосу үшін, бу жіберу батырмасын (4) немесе қосу/сөндіру (7) «U» батырмасын басыңыз, булағыш қосылады, индикатордың (6) үнемі жанып тұруын күтіңіз және жұмысты жалғастырыңыз.

## ҚОНДЫРМА-БЛЕНДЕРДІ ПАЙДАЛАНУ

### НАЗАР АУДАРЫҢЫЗ!

**Қылшақты (11) орнатудың және суқойманы (1) ажыратудың алдында қуаттандыру бауының айыры (9) электрлік розеткаға салынбағандығына көз жеткізіңіз.**

– Қондырма-қылшақты (11) буландырғышқа орнатыңыз.

- Суға арналған суқойманы (1) шешіңіз.
- Су құятын тесіктің (2) қақпағын ашыңыз. MAX белгісінен асып кетпей, суқоймаға (1) су толтырыңыз, қятын тесіктің қақпағын (2) тығыздап жабыңыз.
- Суқоймаға (1) газдалған су, хош иісті қоспалар, сірке суы, химиялық заттар ж.т.б. құюға тыйым салынады.
- Суға арналған суқойманы (1) орнына орнатыңыз, суқойманың (1) сенімді бекітілгендігіне көз жеткізіңіз.
- Буландырғышты тегіс және тұрақты бетке негізіне (10) орнатыңыз.
- Қуаттандыру бауының ашасын (9) электр розеткаға қосыңыз, қосу/сөндіру (7) «U» батырмасын басыңыз, осы ретте индикатор (6) жанады және жыпылықтай бастайды, берілген температураға жеткен кезде, индикатор (6) тұрақты жана бастайды.
- Буландырғышты қолыңызға алып, оны бу беру (4) деңгейінде тұтқасынан (8) ұстаңыз.



- Киімді ілгішке іліңіз.

**Ескертпе:** адамның үстіне киілген киімді буландыруға тыйым салынады, себебі шығатын будың температурасы өте жоғары болады, тек ілгіштерді ғана пайдаланыңыз.

- Бу жіберуді қосу үшін түймені (4) басыңыз және ұстап тұрыңыз.
- Бу жіберуді өшіру үшін түймені (4) жіберіңіз.
- Буды үнемі жіберу үшін, бұғаттауышты (3) төмен жылжытыңыз, буды үнемі жіберуді сөндіру үшін, бұғаттауышты (3) жоғары қарай жылжытыңыз.
- Қондырма-қылшақты (11) матаның бойымен ақырын жүргізіңіз, бос қолыңызбен матаны түзетіңіз.

#### Ескертпе:

– жұмыс кезінде буландырғышты вертикаль күйінде ұстаңыз және оны аудармаңыз;

– буландырғыш жұмыс істеген кезде корпусының жоғары бөлігі қатты қызады, сақтылық танытып, корпусың жоғары бөлігі мен жұмыс бетіне (3) қол тигізбеңіз;

– буландырғаннан кейін киім кебу үшін біраз уақыт керек болуы мүмкін, киімді ілгіште қалдырыңыз.

- Жұмысты аяқтағаннан кейін қосу/сөндіру батырмасын (7) « $\cup$ » басыңыз және басып тұрыңыз, қуаттандыру бауының ашасын (9) электр розеткадан шығарыңыз және булағышты суытыңыз.
- Қондырма-қылшақты шешіңіз.

- Суға арналған суқойманы (1) шешіңіз, қақпақты (2) ашып, судың қалдығын төгіңіз, суқойманы (1) орнына орнатыңыз.

#### ҚЫЗЫП КЕТУДЕН ҚОРҒАУ

- Егер сіз суы жоқ буландырғышты абайсызда қосып қалсаңыз немесе судың деңгейі минималдық белгіден төмен болса, онда автоматты термосақтандырғыш іске қосылады, осы кезде буландырғыш өшеді және индикатор (6) сөніп қалады.
- Бұл жағдайда қуаттандыру бауының айырын (9) электрлік розеткадан шығарыңыз және буландырғышты суу үшін 15-20 минутқа қалдырыңыз, артынан суқоймаға (1) су құйып, қуаттандыру бауының айырын (9) электрлік розеткаға салыңыз, буландырғыш қалыпты тәртіпте жұмыс істейді.

#### ТАЗАЛАУ ЖӘНЕ КҮТІМ

- Қуаттандыру бауының айырын (9) электрлік розеткадан шығарыңыз және буландырғыш толық суығанша күтіңіз.
- Суға арналған суқойманы (1) шешіңіз, қақпақты (2) ашып, судың қалдығын төгіңіз, суқойманы (1) орнына орнатыңыз.
- Буландырғыш корпусын (7) және бу шығатын тесігі бар жұмыс бетін (5) сәл ылғал матамен сүртіңіз, одан кейін құрғатып сүртіңіз.
- Жұмыс бетіндегі (5) минералдық шөгінділерді су-сірке суының ерітіндісіне батырылған матамен кетіруге болады.

- Қондырма-қылшақты (11) шешіп, оны ағын судың астында жуыңыз.
- Буландырғышты тазалау үшін абразивтік жуғыш заттарды немесе еріткіштерді пайдалануға тыйым салынады.
- Буландырғышты, қуаттандыру бауын (9) және қуаттандыру бауының айырын (9) суға немесе кез-келген басқа сұйықтықтарға салуға тыйым салынады.

#### САҚТАУ

- Буландырғышты электр желісінен ажыратып, оның толық суығанын күтіңіз.
- Буландырғышты тазалаңыз.
- Құралды салқын және құрғақ, балалардың және мүмкіндігі шектеулі адамдардың қолы жетпейтін жерде сақтаңыз.

#### Ықтимал ақаулықтар және оларды жою жолдары

##### ЖЕТКІЗІЛІМ ЖИЫНТЫҒЫ

1. Буландырғыш – 1 дана.
2. Қондырма-қылшақ – 1 дана.
3. Нұсқаулық – 1 дана.

##### ТЕХНИКАЛЫҚ СИПАТТАМАЛАРЫ

- Электр қуаттандыруы: 220-240 В, ~ 50/60 Гц
- Номиналдық тұтыну қуаттылығы: 1400 Вт
- Суға арналған суқойманың көлемі: 220 мл
- Будың шығуы: 25 г/мин

#### КӨДЕГЕ АСЫРУ



Қалдықтардың бақыланбай пайдаға асыруынан қоршаған ортаға немесе адамдардың денсаулығына зиян келтірмеу үшін, құралдың немесе қуаттандыру элементтерінің (егер жинағына

кірсе) қызмет ету мерзімі аяқталғаннан кейін оларды әдеттегі тұрмыстық қалдықтармен бірге тастамаңыз, аспапты және қуаттандыру элементтерін одан әрі көдеге асыру үшін арнайы пункттерге жіберіңіз.

Бұйымдарды көдеге асыру кезінде пайда болатын қалдықтар белгіленген тәртіп бойынша келесі пайдаға асырылатын тәртіппен міндетті түрде жинауға жатады.

Берілген өнімді көдеге асыру туралы қосымша ақпаратты алу үшін жергілікті муниципалитетке, тұрмыстық қалдықтарды пайдаға асыру қызметіне немесе осы өнімді сатып алған дүкенге жүгініңіз.

Өндіруші алдын-ала ескертусіз, құралдың дизайнын, конструкциясы мен оның жалпы жұмыс ұстанымдарына әсер етпейтін техникалық сипаттамаларын өзгерту құқығын өзіне қалдырады.

#### Құралдың қызмет ету мерзімі – 3 жыл

Өндірілген күні сериялық нөмірде көрсетілген.

Қандай да бір ақаулықтар табылған жағдайда дереу авторландырылған сервистік орталыққа жүгіну керек.



brayer.pro

