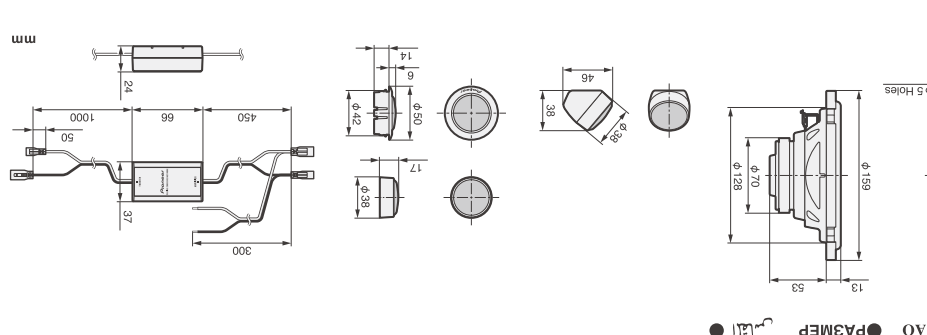


TS-650C/XIEL5 THF5936-A/V1

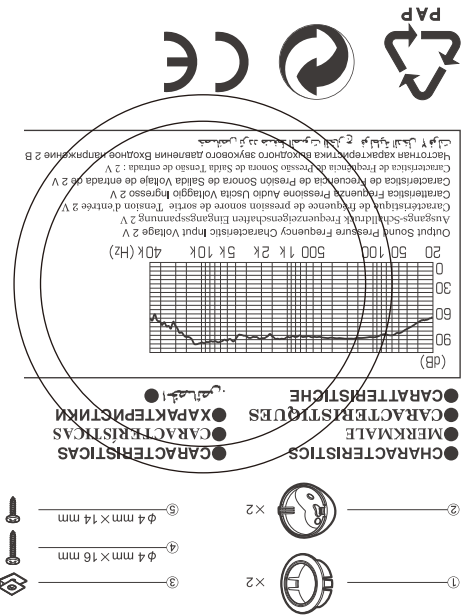
© PIONEER CORPORATION 2018 28-8, Higashi-gomae 2-chome, Buiyō-ku, Tokyo 113-0021, JAPAN / JAPAN

Model	TS-650C	TS-650C
Weight	1.33 kg	1.33 kg
Dimensions	152 mm (H) x 165 mm (W) x 128 mm (D)	152 mm (H) x 165 mm (W) x 128 mm (D)
Power	380 W (MAX)	380 W (MAX)
Frequency Response	18 Hz - 20 kHz	18 Hz - 20 kHz
Impedance	4 Ω	4 Ω
Driver	1" x 6.5" (25.4 mm x 165 mm)	1" x 6.5" (25.4 mm x 165 mm)

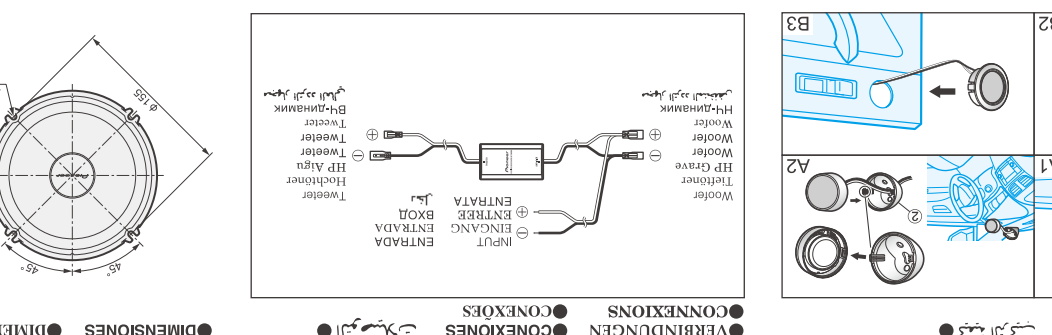
Model	TS-650C	TS-650C
Weight	1.33 kg	1.33 kg
Dimensions	152 mm (H) x 165 mm (W) x 128 mm (D)	152 mm (H) x 165 mm (W) x 128 mm (D)
Power	380 W (MAX)	380 W (MAX)
Frequency Response	18 Hz - 20 kHz	18 Hz - 20 kHz
Impedance	4 Ω	4 Ω
Driver	1" x 6.5" (25.4 mm x 165 mm)	1" x 6.5" (25.4 mm x 165 mm)



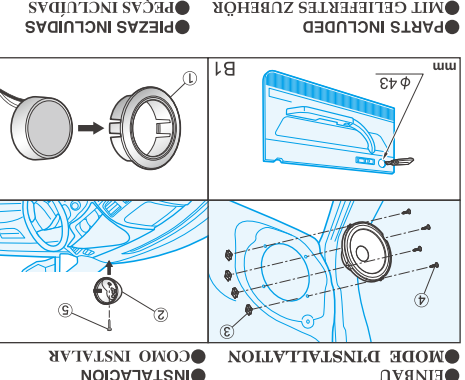
● SPECS
● DIMENSIONS
● CONNECTIONS



Model	TS-650C	TS-650C
Weight	1.33 kg	1.33 kg
Dimensions	152 mm (H) x 165 mm (W) x 128 mm (D)	152 mm (H) x 165 mm (W) x 128 mm (D)
Power	380 W (MAX)	380 W (MAX)
Frequency Response	18 Hz - 20 kHz	18 Hz - 20 kHz
Impedance	4 Ω	4 Ω
Driver	1" x 6.5" (25.4 mm x 165 mm)	1" x 6.5" (25.4 mm x 165 mm)



● SPECS
● DIMENSIONS
● CONNECTIONS



● SPECS
● DIMENSIONS
● CONNECTIONS

TS-650C



● FEATURES
1. IMPERMEABLE CONE FOR PUNCHY SOUND
2. ELASTIC POLYMER SURROUND FOR HEAVY DUTY
3. HIGH POWER VOICE COIL FOR STRONG BASS
4. POLYIMIDE DIAPHRAGM FOR CLEAR VOCALS & HIGH HEAT RESISTANCE
5. EXTERNAL PASSIVE CROSSOVER NETWORK FOR A MORE BALANCED SOUND

● FEATURES
1. IMPERMEABLE CONE FOR PUNCHY SOUND
2. ELASTIC POLYMER SURROUND FOR HEAVY DUTY
3. HIGH POWER VOICE COIL FOR STRONG BASS
4. POLYIMIDE DIAPHRAGM FOR CLEAR VOCALS & HIGH HEAT RESISTANCE
5. EXTERNAL PASSIVE CROSSOVER NETWORK FOR A MORE BALANCED SOUND

TS-650C

SEPARATE 2-WAY / HP 2 VOIES SÉPARÉES / 2 VIAS SEPARADAS
РАЗДЕЛЬНАЯ 2-ПОЛОСНАЯ СИСТЕМА



6 1/2" / 16cm
380W Max

● FEATURES
1. IMPERMEABLE CONE FOR PUNCHY SOUND
2. ELASTIC POLYMER SURROUND FOR HEAVY DUTY
3. HIGH POWER VOICE COIL FOR STRONG BASS
4. POLYIMIDE DIAPHRAGM FOR CLEAR VOCALS & HIGH HEAT RESISTANCE
5. EXTERNAL PASSIVE CROSSOVER NETWORK FOR A MORE BALANCED SOUND

● FEATURES
1. IMPERMEABLE CONE FOR PUNCHY SOUND
2. ELASTIC POLYMER SURROUND FOR HEAVY DUTY
3. HIGH POWER VOICE COIL FOR STRONG BASS
4. POLYIMIDE DIAPHRAGM FOR CLEAR VOCALS & HIGH HEAT RESISTANCE
5. EXTERNAL PASSIVE CROSSOVER NETWORK FOR A MORE BALANCED SOUND



TS-650C
SEPARATE 2-WAY HP 2 VOIES SÉPARÉES

● FEATURES
1. IMPERMEABLE CONE FOR PUNCHY SOUND
2. ELASTIC POLYMER SURROUND FOR HEAVY DUTY
3. HIGH POWER VOICE COIL FOR STRONG BASS
4. POLYIMIDE DIAPHRAGM FOR CLEAR VOCALS & HIGH HEAT RESISTANCE
5. EXTERNAL PASSIVE CROSSOVER NETWORK FOR A MORE BALANCED SOUND

